

**DUAL FUEL RANGES**

## INSTALLATION INSTRUCTIONS

**WOLF**<sup>®</sup>



## CONTACT INFORMATION

**Wolf Customer  
Service:**  
800-332-9513

**Website:**  
[wolfappliance.com](http://wolfappliance.com)

As you follow these instructions, you will notice **WARNING** and **CAUTION** symbols. This blocked information is important for the safe and efficient installation of Wolf equipment. There are two types of potential hazards that may occur during installation.

### **⚠ CAUTION**

signals a situation where minor injury or product damage may occur if you do not follow instructions.

### **⚠ WARNING**

states a hazard that may cause serious injury or death if precautions are not followed.

Another footnote we would like to identify is **IMPORTANT NOTE**: This highlights information that is especially relevant to a problem-free installation.

**INSTALLATION** REQUIREMENTS

**IMPORTANT NOTE:** This installation must be completed by a qualified installer, service agency or gas supplier.

**IMPORTANT NOTE:** Save these Installation Instructions for the local inspector's use.

- Please read the entire Installation Instructions prior to installation.
- **Installer:** please retain these instructions for local inspector's reference, then leave them with the homeowner.
- **Homeowner:** please read and keep these instructions for future reference and be sure to read the entire Use & Care Information prior to use.

**IMPORTANT NOTE:** This appliance must be installed in accordance with National Electrical Codes, as well as all state, municipal and local codes. The correct voltage, frequency and amperage must be supplied to the appliance from a dedicated, grounded circuit which is protected by a properly sized circuit breaker or time delay fuse. The proper voltage, frequency, and amperage ratings are listed on the product rating plate.

Record the model and serial numbers before installing the dual fuel range. Both numbers are listed on the rating plate, located at the far right of the bottom of the control panel assembly just above the oven door.

**Model Number** \_\_\_\_\_

**Serial Number** \_\_\_\_\_

**⚠ WARNING**

**If the information in this book is not followed exactly, a fire or explosion may result, causing property damage, personal injury or death.**

**IMPORTANT NOTE:**

- Installation and service must be performed by a qualified installer, service agency or the gas supplier.
- Warranty service must be performed by a Wolf authorized service center.
- Do not store or use gasoline or other flammable vapors and liquids in the vicinity of this or any other appliance.
- A ventilation hood is recommended for use with the Wolf dual fuel range.

**WHAT TO DO IF YOU SMELL GAS:**

- Do not try to light any appliance.
- Do not touch any electrical switch.
- Do not use any phone in your building.
- Immediately call your gas supplier from a neighbor's phone. Follow the gas supplier's instructions.
- If you cannot reach your gas supplier, call the fire department.

### BEFORE YOU START

- Proper installation is your responsibility. Installations must be performed by a qualified or licensed contractor, plumber or gas fitter, qualified or licensed by the state, province or region where this appliance is being installed. You must also ensure that electrical installation is adequate and conforms with all local codes and ordinances.
- Wolf dual fuel ranges are manufactured for use with **natural gas** or **LP gas**. Please check product rating plate for type of gas needed.
- Proper gas supply must be available; refer to Gas Supply Requirements on page 13. Electrical ground is required; see Electrical Requirements on page 15.
- Check the location where the range will be installed. The location should be away from strong draft areas, such as windows, doors and strong heating vents or fans. Do not obstruct the flow of air. The area in which you are installing this appliance must have an adequate supply of fresh air to ensure proper combustion and ventilation.
- Make sure you have everything necessary for proper installation. It is the responsibility of the installer to comply with the installation clearances specified on the product rating plate. The rating plate is located at the far right of the bottom of the control panel assembly just above the oven door.
- All openings in the wall or floor where the range is to be installed must be sealed.
- When installing the range under existing cabinets where the installation does not meet the minimum cabinet clearances, install a ventilation hood or other non-combustible surface above the range to avoid burn hazards. Refer to Minimum Clearances on page 6.

### COMMONWEALTH OF MASSACHUSETTS

- Installations and repairs must be performed by a qualified or licensed contractor, plumber or gasfitter qualified or licensed by the state, province, or region where this appliance is being installed.
- Only use gas shut-off valves approved for use within the state, province, or region where this appliance is being installed.
- A flexible gas connector, when used, must not exceed 3' (.9 m).

### VENTILATION OPTIONS

**IMPORTANT NOTE:** It is recommended that you operate the Wolf dual fuel range with a Pro ventilation hood. Contact your Wolf dealer for details.

- **Pro Wall Hood** – 22" (559), 24" (610) or 27" (686) depths and 30" (762) to 66" (1676) widths in classic stainless steel.
- **Pro Island Hood** – 36" (914) to 66" (1676) widths in classic stainless steel.
- **Pro Hood Liner** – available in widths to accommodate 30" (762) to 60" (1524) hood shells.

All Pro ventilation hoods have welded seams, sealed halogen lighting and removable, dishwasher-safe stainless steel filters.

Blower requirements may vary due to length of duct work and number of angles. The basic recommendation is 1 CFM per 100 Btu/hr. Always consult your HVAC professional for more concise blower requirements.

**IMPORTANT NOTE:** When installing a ventilation hood, refer to the specific requirements of the hood for the minimum dimension to countertop.

### INSTALLATION SPECIFICATIONS

Wolf dual fuel ranges come in 30" (762), 36" (914), 48" (1219) and 60" (1524) widths. Illustrations on pages 7–10 provide the overall dimensions and installation specifications for each width of dual fuel range.

Each range is designed to fit between cabinets set at the distance specified by the unit. For example, a 36" (914) range will fit a 36" opening. The exception is the 60" (1524) unit which will require a 60<sup>1</sup>/<sub>4</sub>" (1530) opening.

**IMPORTANT NOTE:** Cabinet opening dimensions shown in the Installation Specifications illustrations must be used. These dimensions provide for required clearances.

Each unit is designed with a terminal block on the rear of the range. The terminal block will also accept an appliance power cord. Have a qualified electrician or installer wire your unit from the electrical supply, through the knockout in the unit base and to the terminal block on the range.

**IMPORTANT NOTE:** Locate the electrical supply within dimensions shown in the Installation Specifications illustrations and flush with back wall.

Refer to the Installation Specifications illustration for your model on pages 7–10 for the exact rough opening dimensions and location of the gas supply and electrical.

Wolf dual fuel ranges using natural gas will operate up to an altitude of 8,000' (2438 m) without any adjustment. Natural gas and LP gas installations from 8,000' (2438 m) to 11,000' (3353 m) need the high altitude conversion kit. Contact your Wolf dealer for details.

### ACCESSORIES

**Optional accessories are available through your Wolf dealer. To obtain local dealer information, visit the Showroom Locator section of our website, [wolfappliance.com](http://wolfappliance.com).**

INSTALLATION SPECIFICATIONS

MINIMUM CLEARANCES

**IMPORTANT NOTE:** Caution must be used in planning the proper installation of the Wolf dual fuel range to avoid fire or damage to adjacent cabinetry or kitchen equipment. Be sure to follow the minimum clearances established in the finished rough opening dimensions.

Refer to the Installation Specifications illustration for your model on pages 7–10 for the exact rough opening dimensions.

**Maintain the following clearances to combustible materials:**

- Minimum 18" (457) clearance from bottom of upper cabinet to countertop, within 6" (152) minimum side clearance.
- Minimum 30" (762) clearance between countertop and bottom of wood or metal cabinet, which is protected by not less than 1/4" (6) flame retardant millboard covered with not less than No. 28 MSG sheet steel, .015" (.4) stainless steel, or .024" (.6) aluminum or .02" (.5) copper.
- Minimum 36" (914) clearance between countertop and bottom of an unprotected wood or metal cabinet.
- Bottom of ventilation hood must be 30" (762) minimum to 36" (914) maximum from countertop.

ISLAND | PENINSULA INSTALLATIONS

**For island installations,** the range should not be installed within an enclosure having an adjacent rear wall less than 12" (305) from the rear of the unit that rises above the countertop.

**For peninsula installations,** the range must have a 6" (152) minimum clearance to the side wall, left or right side, and 12" (305) minimum clearance to the rear wall.

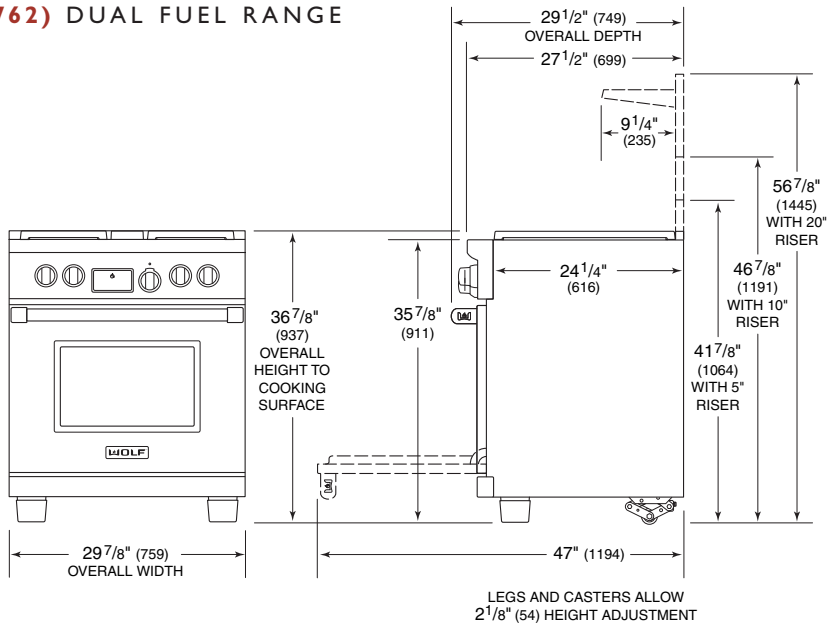
Refer to the Installation Specifications illustration for your model on pages 7–10 for the exact rough opening dimensions.

**⚠ WARNING**

**Failure to locate the range without the proper clearances will result in a fire hazard.**

# INSTALLATION INSTRUCTIONS

## 30" (762) DUAL FUEL RANGE

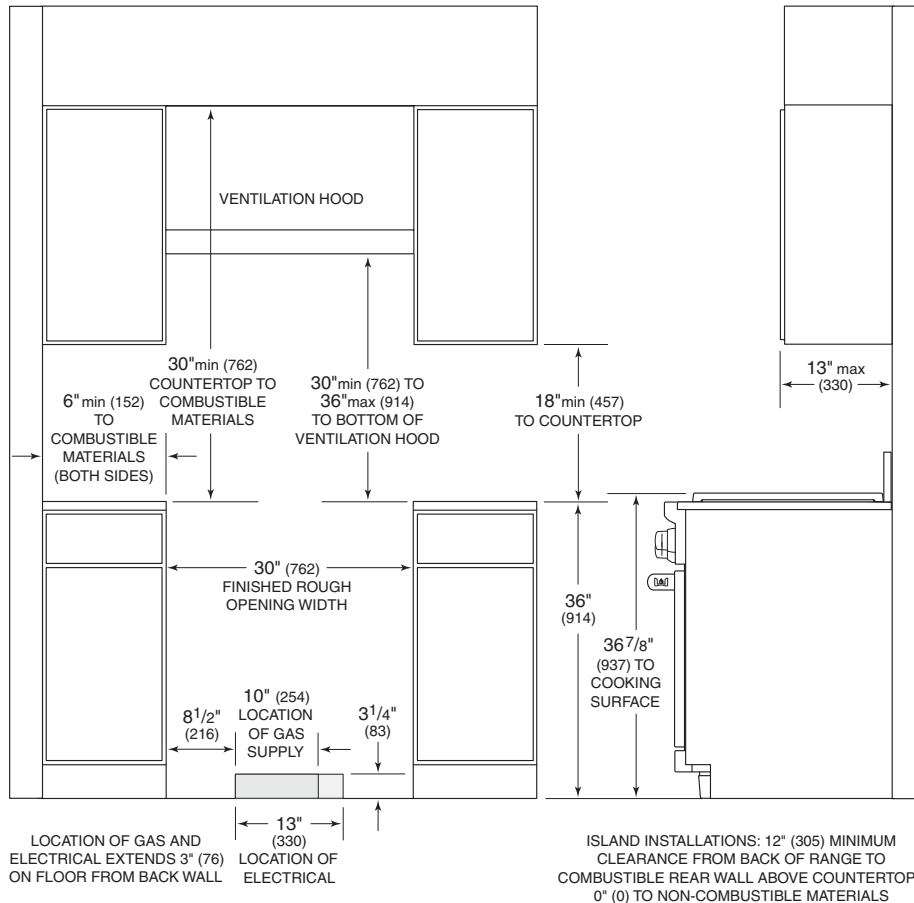


### OVERALL DIMENSIONS

Overall Width	29 7/8" (759)
Overall Height (to cooking surface)	36 7/8" (937)
Overall Depth	29 1/2" (749)
Opening Width	30" (762)

*Dimensions may vary to ±1/8" (3).*

## INSTALLATION SPECIFICATIONS



Dimensions in parentheses are in millimeters unless otherwise specified.

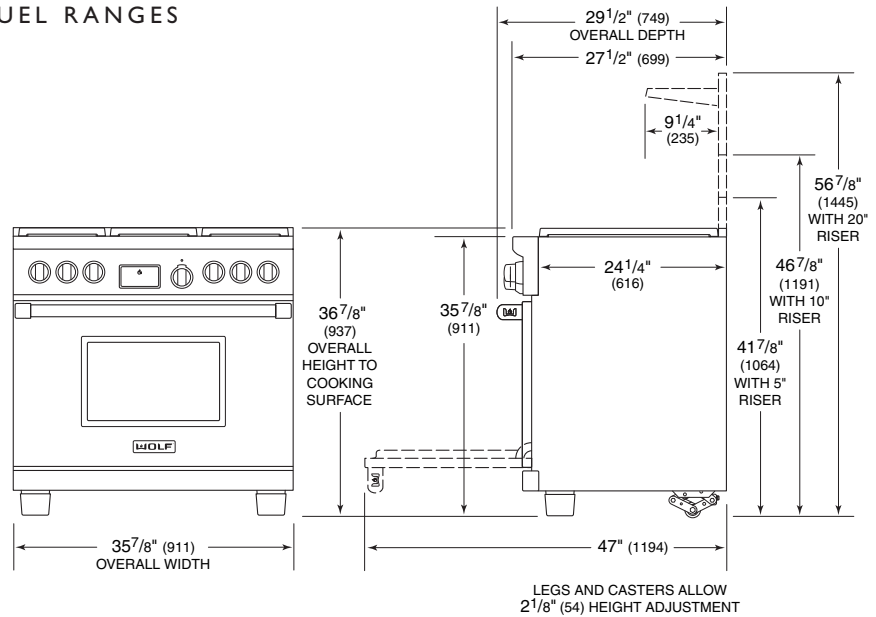
# WOLF DUAL FUEL RANGES

## 36" (914) DUAL FUEL RANGES

### OVERALL DIMENSIONS

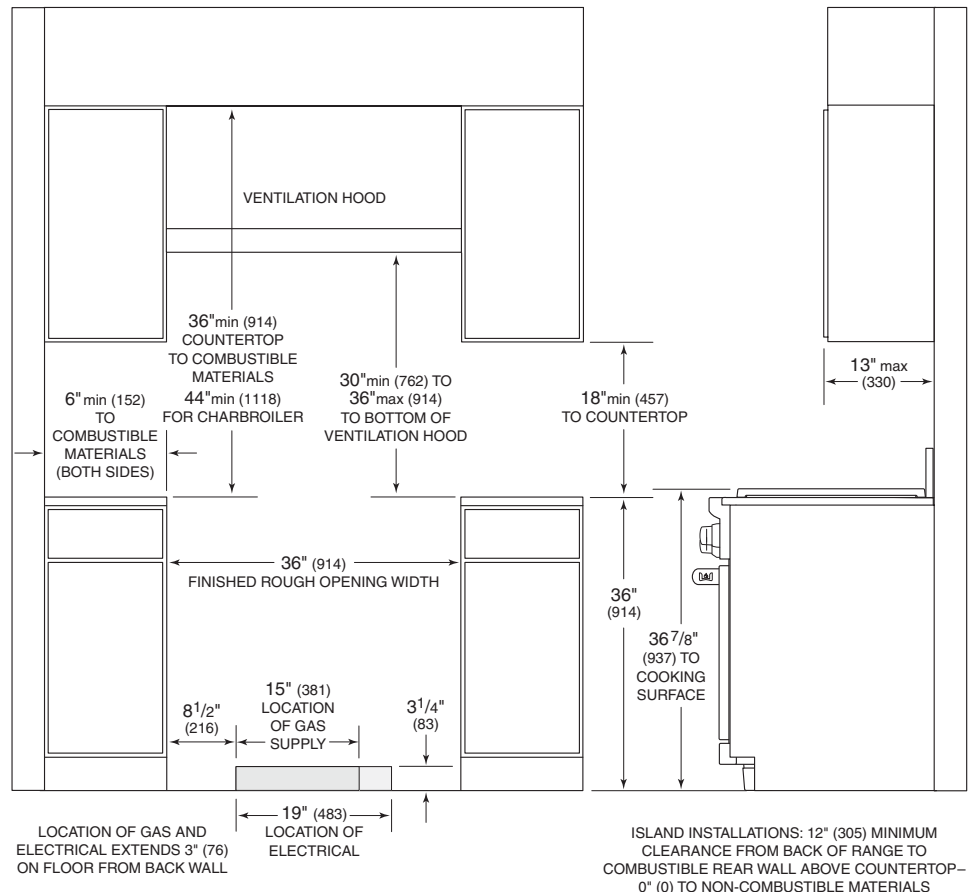
Overall Width	35 7/8" (911)
Overall Height (to cooking surface)	36 7/8" (937)
Overall Depth	29 1/2" (749)
Opening Width	36" (914)

Dimensions may vary to ±1/8" (3).



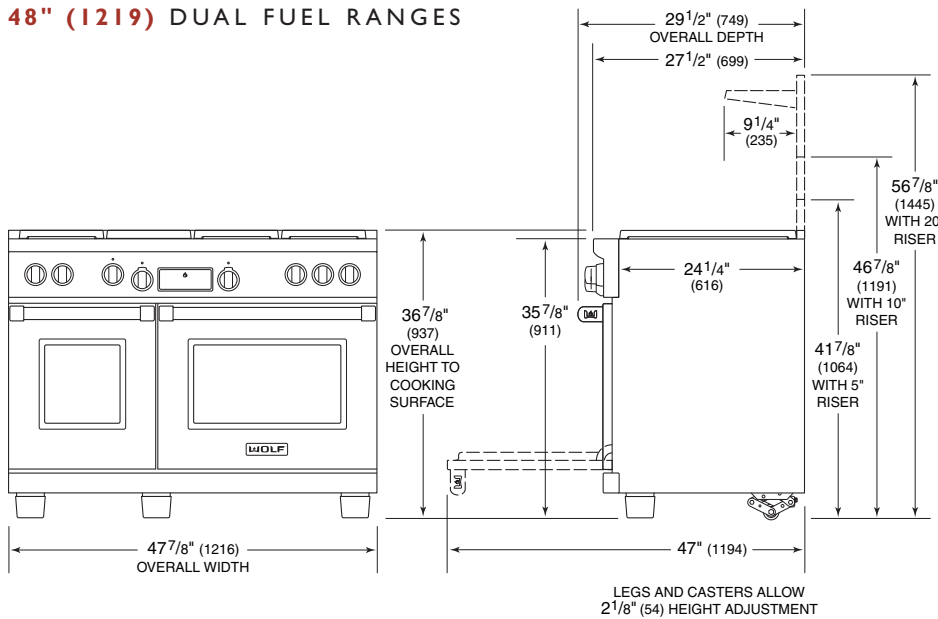
### INSTALLATION SPECIFICATIONS

**IMPORTANT NOTE:**  
In non-island applications, a minimum 5" (127) riser is required for Model DF366 and minimum 10" (254) riser required for Models DF364C and DF364G installed against a combustible surface. The island trim and 5" (127) riser may only be used against a non-combustible surface for Models DF364C and DF364G.



# INSTALLATION INSTRUCTIONS

## 48" (1219) DUAL FUEL RANGES

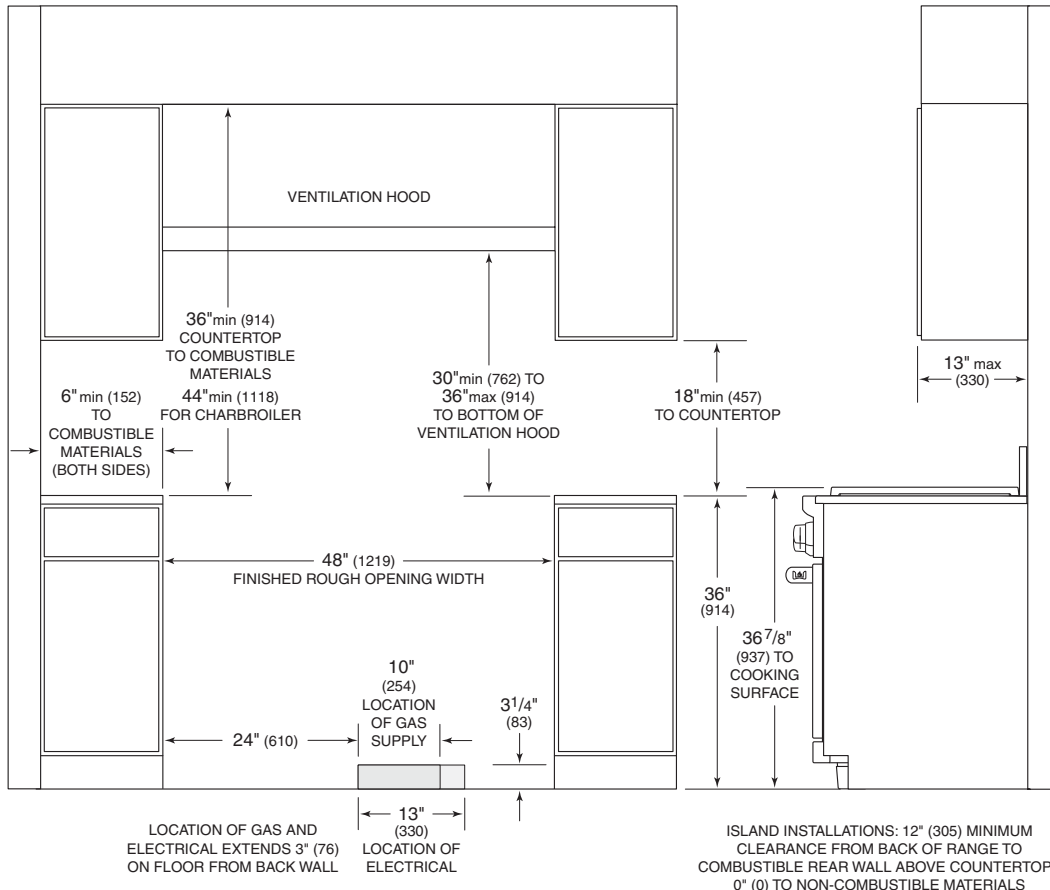


### OVERALL DIMENSIONS

Overall Width	47 7/8" (1216)
Overall Height (to cooking surface)	36 7/8" (937)
Overall Depth	29 1/2" (749)
Opening Width	48" (1219)

Dimensions may vary to ± 1/8" (3).

## INSTALLATION SPECIFICATIONS



**IMPORTANT NOTE:** In non-island applications, a minimum 10" (254) riser is required for all 48" (1219) models installed against a combustible surface. The island trim and 5" (127) riser may only be used against a non-combustible surface.

Dimensions in parentheses are in millimeters unless otherwise specified.

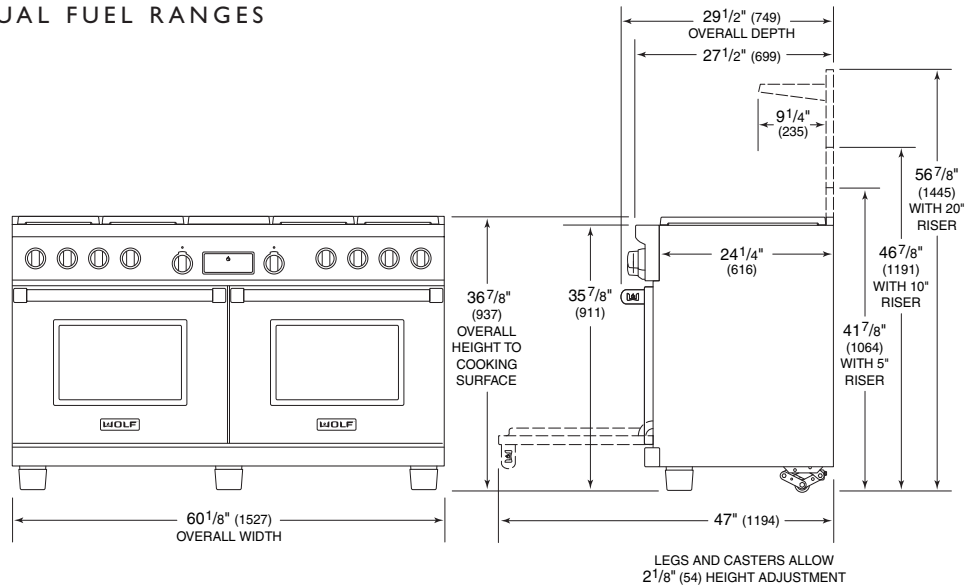
# WOLF DUAL FUEL RANGES

## 60" (1524) DUAL FUEL RANGES

### OVERALL DIMENSIONS

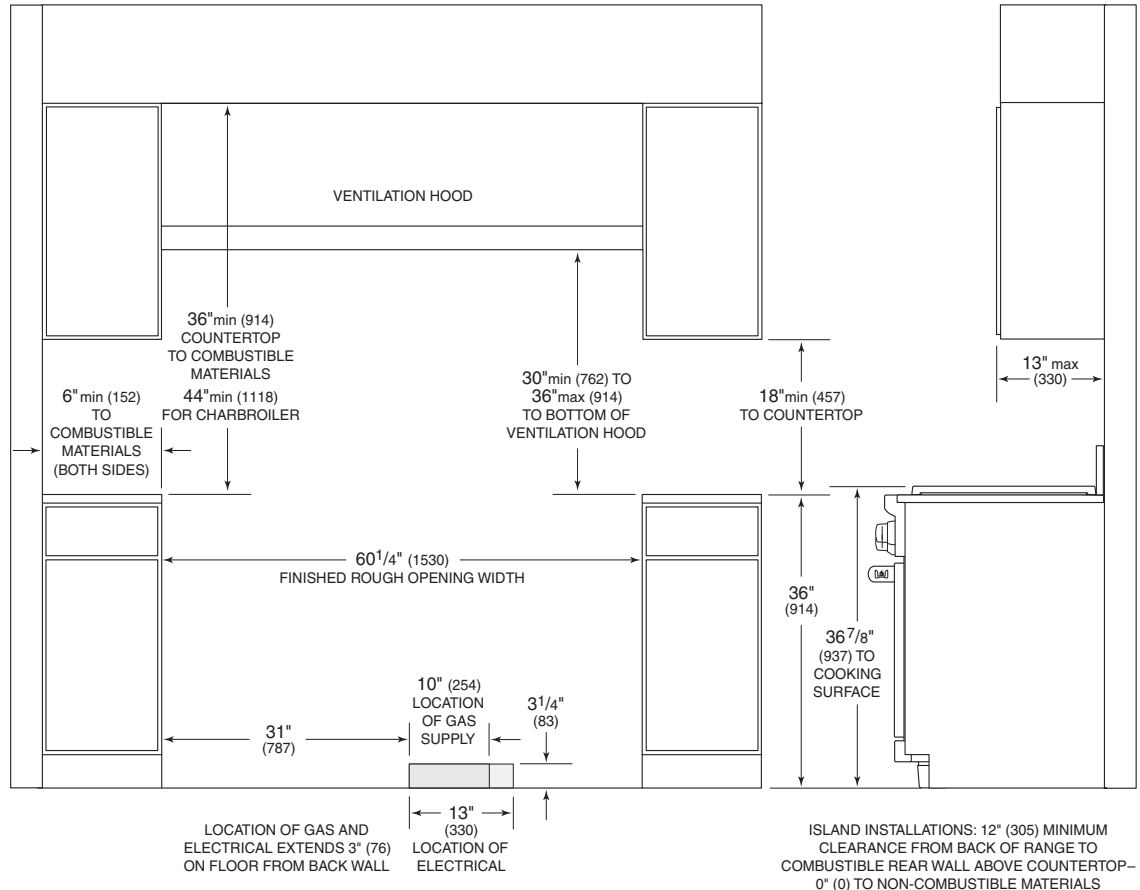
Overall Width	60 <sup>1</sup> / <sub>8</sub> " (1527)
Overall Height (to cooking surface)	36 <sup>7</sup> / <sub>8</sub> " (937)
Overall Depth	29 <sup>1</sup> / <sub>2</sub> " (749)
Opening Width	60 <sup>1</sup> / <sub>4</sub> " (1530)

Dimensions may vary to ±1/8" (3).



### INSTALLATION SPECIFICATIONS

**IMPORTANT NOTE:**  
In non-island applications, a minimum 10" (254) riser is required for all 60" (1524) models installed against a combustible surface. The island trim and 5" (127) riser may only be used against a non-combustible surface.



## UNPACK THE RANGE

Remove and discard all packing materials, including cardboard and tape on the outside of the range and inside the oven cavity.

Remove the box containing the oven racks, oven rack guides and broiler pan from inside the oven cavity. Be sure to do this for both oven cavities on the 60" (1524) range.

Remove the burner grates and styrofoam off the top cooking surface. Be sure to remove the burner caps packaged in styrofoam below the burner grates.

Do not discard the angle iron supplied with the range. This is the anti-tip bracket and must be installed with the unit. Refer to Anti-Tip Bracket Installation on page 16.

Carefully lift the range off the pallet and remove the styrofoam from the bottom of the unit.

### ⚠ WARNING

**The dual fuel range is very heavy. Use caution when lifting and moving the unit. Secure oven door(s) closed before moving the unit.**

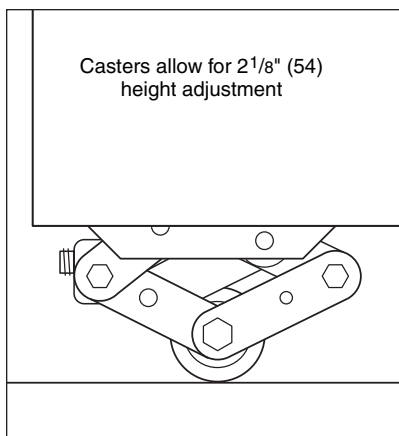
### ⚠ CAUTION

**Do not lift the range by the oven door handle(s). This will damage the oven door and hinges.**

**IMPORTANT NOTE:** Before moving the range into position, protect any finished flooring with appropriate materials to avoid damage to the floor.

The rear of the range has rolling casters which allows for easy movement of the range by picking up on the front of the unit. Refer to the illustration below.

The dual fuel range comes from the factory at an overall height of 35<sup>7</sup>/<sub>8</sub>" (911) from floor to the top of the bullnose, before any height adjustment. The legs and casters allow for 2<sup>1</sup>/<sub>8</sub>" (54) height adjustment. Refer to the illustration below. Use a <sup>3</sup>/<sub>4</sub>" socket to adjust the rear casters. Refer to the Installation Specifications illustration for your model on pages 7–10 for additional dimensions.



### Rolling Casters

Dimensions in parentheses are in millimeters unless otherwise specified.

OVEN DOOR REMOVAL

**⚠ CAUTION**

Failure to insert the hinge pin in the appropriate hinge arm will cause damage to the range. Minor injuries may occur.

**IMPORTANT NOTE:** The oven door(s) should not be removed unless it is necessary to fit the range through a tight doorway. Door removal should only be done by a qualified service technician or installer. Door removal and reinstallation may cause damage to the oven porcelain interior.

If removal of the oven door(s) is necessary, a hinge pin, supplied with the range, will need to be inserted in the appropriate hinge arm. For each oven door, only one hinge arm is spring loaded, requiring use of the hinge pin for removal of the oven door. The hinge pin will be found taped to the inside of the oven door.

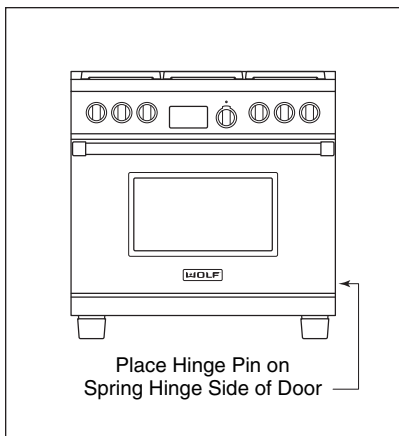
For 30" (762) and 36" (914) ranges, the hinge pin will be inserted through the hole in the right hinge arm (facing the unit). On 48" (1219) and 60" (1524) ranges, the spring hinges are located on the outer edges of the unit. On these units, the left oven door will have the spring hinge on the left side and the right oven door will have the spring hinge on the right side. Refer to the illustrations below for the location of the spring hinge(s) for your model.

If removal of the oven door(s) is necessary, follow these steps:

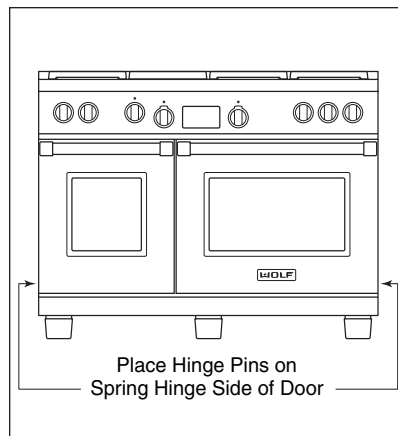
- 1) Remove the lower kickplate assembly to access the lower hinge retainer mounting screws.
- 2) Open the oven door to its fully opened position and remove both upper and lower hinge retainer mounting screws. NOTE: The oven gasket may have to be moved slightly to access the bottom screws.
- 3) After removing the mounting screws, move the hinge retainer plate forward slightly. NOTE: The hinge retainer plate will remain on the door hinge assembly after the mounting screws have been removed.
- 4) Insert the supplied door hinge pin through the hole in the appropriate hinge arm. Refer to the illustration below.
- 5) Carefully close the oven door to about a 60° angle from horizontal and lift the door away from the oven. NOTE: A slight rocking motion may be required for removal.
- 6) For 48" (1219) and 60" (1524) ranges, complete these steps for both oven doors.

**⚠ CAUTION**

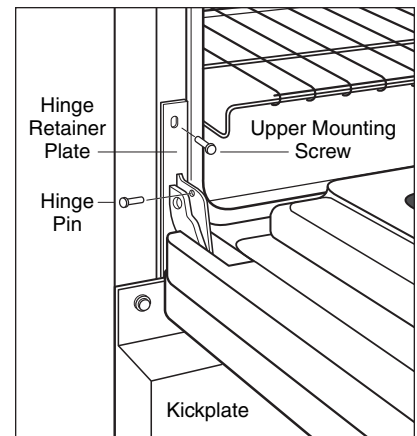
Do not lift or carry the oven door by the door handle.



Spring hinge location for 30" (762) and 36" (914) ranges.



Spring hinge locations for 48" (1219) and 60" (1524) ranges.



Oven door removal

GAS SUPPLY REQUIREMENTS

**⚠ WARNING**

**EXPLOSION HAZARD—**

**Use a new CSA approved gas supply line and install a gas shut-off valve.**

**Securely tighten all gas connections.**

**For LP gas, have a qualified technician make sure the gas pressure does not exceed 14" (34.9 mb) WC (water column).**

**Failure to do so can result in explosion, fire or death.**

**IMPORTANT NOTE:** The dual fuel range must be connected to a regulated gas supply.

**IMPORTANT NOTE:** This installation must conform with local codes and ordinances. In the absence of local codes, installations must conform with American National Standard, National Fuel Gas Code ANSI Z223.1 – latest edition or CANI – B149.1 or 2.

The range is equipped for use with natural or LP gas. It is design certified by the Canadian Standards Association (CSA) for natural or LP gases. The rating plate, located at the far right of the bottom of the control panel assembly just above the oven door, has information on the type of gas that should be used. If this information does not agree with the type of gas available, check with the local gas supplier.

Provide a gas supply line of 3/4" rigid pipe to the range location. A smaller size pipe on long runs may result in insufficient gas supply. Pipe joint compounds, suitable for use with LP gas should be used. For LP gas, piping or tubing size can be 1/2" minimum. LP gas suppliers usually determine the size and materials used on the system.

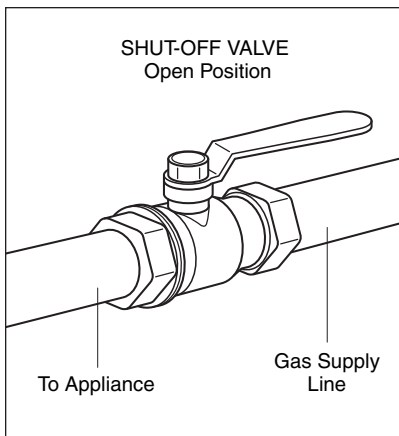
If local codes permit, a new CSA design certified, 3' (.9 m) long, 1/2" or 3/4" ID flexible metal appliance connector is recommended for connecting this range to the gas supply line. Do not kink or damage the flexible connector when moving the range. The pipe coming out the bottom of the unit has 1/2" male threads. You will need to determine the fittings required, depending on the size of your gas supply line, flexible metal connector and shut-off valve.

If rigid pipe is used as a gas supply line, a combination of pipe fittings must be used to obtain an in-line connection to the range. All strains must be removed from the supply and gas lines so the range will be level and in line.

**IMPORTANT NOTE:** The supply line must be equipped with an approved external gas shut-off valve located near the range in an accessible location. Do not block access to the shut-off valve. Refer to the illustration below.

IMPORTANT NOTE

**This installation must conform with local codes and ordinances. In the absence of local codes, installations must conform with the American National Standard, National Fuel Gas Code.**



**Shut-off valve**

Dimensions in parentheses are in millimeters unless otherwise specified.

**GAS SUPPLY REQUIREMENTS**

The gas pressure regulator must be checked at a minimum 1" (2.5 mb) WC (water column) above the set pressure. The inlet pressure to the regulator should be as follows for operation and checking the regulator setting:

- **Natural Gas:** Set pressure 5" (12.5 mb) WC; gas supply pressure to the regulator never to exceed 14" (34.9 mb) WC, .5 psi (3.5 kPa).
- **LP Gas:** Set pressure 10" (25 mb) WC; gas supply pressure to the regulator never to exceed 14" (34.9 mb) WC, .5 psi (3.5 kPa).

**LINE PRESSURE TESTING**

- **Testing above .5 psi (3.5 kPa) 14" (34.9 mb) WC (gauge):** The range and its individual shut-off valve must be disconnected from the gas supply piping system during any pressure testing of that system at test pressures greater than .5 psi (3.5 kPa).
- **Testing below .5 psi (3.5 kPa) 14" (34.9 mb) WC (gauge) or lower:** The range must be isolated from the gas supply piping system by closing its individual manual shut-off valve during any pressure testing of the gas supply piping system at test pressures equal to or less than .5 psi (3.5 kPa).

**GAS SUPPLY CONNECTION**

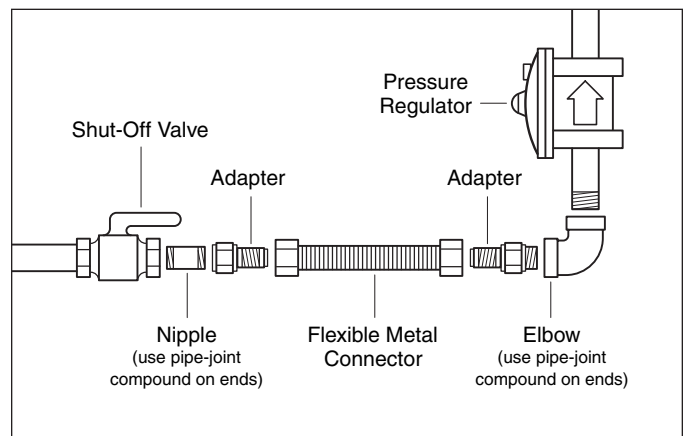
**IMPORTANT NOTE:** All connections to the gas piping must be wrench-tightened. Do not make connections too tight, this may crack the gas pressure regulator and cause a gas leak. Do not allow the pipes to turn when tightening fittings as the tubing in the burner box may bend and begin to leak.

Assemble the flexible metal connector from the gas supply pipe to the gas pressure regulator. Determine the fittings required depending on the size of your gas supply line, flexible metal connector and shut-off valve. Refer to the illustration below. If a flexible metal connector is used, be sure the tubing is not kinked. Use a pipe-joint compound made for use with natural and LP gas.

Open the shut-off valve in the gas supply line. Wait a few minutes for the gas to move through the line.

Use a brush and liquid detergent to test all gas connections for leaks. Bubbles around connections will indicate a leak. If a leak appears, shut off the gas valve and adjust connections. Then check connections again. Clean all the detergent solution from the range.

**⚠ WARNING**  
**Never test for a gas leak with a match or other flame.**



**Gas supply line connection**

## ELECTRICAL REQUIREMENTS

### ⚠ WARNING

Verify that power is disconnected from electrical box before proceeding.

- **Maximum connected load:** 5.2 kW for 30" (762) and 36" (914) ranges; 10.2 kW for 48" (1219) and 60" (1524) ranges.
- **Required power supply:** 240V/208V/30A/60Hz for 30" (762) and 36" (914) ranges; 240V/208V/50A/60Hz for 48" (1219) and 60" (1524) ranges.
- **Minimum supply wire size:** L1 and L2 – 12 AWG, neutral – 16 AWG, ground – 12 AWG for 30" (762) and 36" (914) ranges.
- **Minimum supply wire size:** L1 and L2 – 8 AWG, neutral – 12 AWG, ground – 10 AWG for 48" (1219) and 60" (1524) ranges.
- **Total electric rating:** 5.2 kW at 240V, 4.5 kW at 208V for 30" (762) and 36" (914) ranges; 10.2 kW at 240V, 8.8 kW at 208V for 48" (1219) and 60" (1524) ranges.
- **Total amps:** 22 amps for 30" (762) and 36" (914) ranges; 43 amps for 48" (1219) and 60" (1524) ranges.

The terminal block on the rear of the range allows for a 3-wire or 4-wire installation. For a 4-wire installation, the ground strap from the unit to the terminal block must be cut. Two concentric knockouts are provided to allow for permanent or cordset wiring of the unit.

You must follow all National Electrical Code regulations. In addition, be aware of local codes and ordinances when installing your service.

## FOUR-WIRE ELECTRICAL SYSTEM

To connect to a four-wire electrical system, follow these steps:

- Cut or remove the ground strap on the terminal block.
- Connect the white appliance wire to the neutral (white) supply wire on the terminal block.
- Connect the black appliance wire to the black (L1) power supply wire on the terminal block.
- Connect the red appliance wire to the red (L2) power supply wire on the terminal block.
- Connect the ground appliance wire to the green/ground house grounding wire on the terminal block.

## THREE-WIRE ELECTRICAL SYSTEM

To connect to a three-wire electrical system, follow these steps: Connecting the ground appliance wire to the neutral (white) supply wire (where local codes permit).

- Connect the ground and white appliance wires to the neutral (white) supply wire on the terminal block.
- Connect the black appliance wire to the black (L1) power supply wire on the terminal block.
- Connect the red appliance wire to the red (L2) power supply wire on the terminal block.

## IMPORTANT NOTE

**You must follow all National Electrical Code regulations. In addition, be aware of local codes and ordinances when installing your service.**

**ANTI-TIP BRACKET INSTALLATION**

**⚠ WARNING**

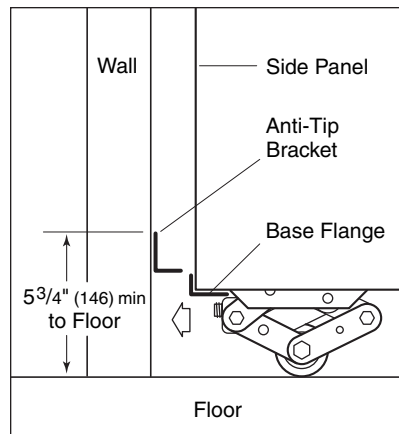
**This range can tip. Injury to persons could result. Install the anti-tip device packed with the range following the instructions below.**

Raise the unit to its desired height using the rear leveling casters and adjusting the front adjustable legs. Position the range roughly in place to verify the correct height.

Measure from the floor to the top of the range base flange on the back of the unit. Add 1/8" (3) to this dimension and mark the height on the wall behind the unit. This will be the location of the bottom edge of the anti-tip bracket. Approximately center the mark between the cabinets. For 48" (1219) and 60" (1524) ranges, care must be taken to verify that the anti-tip bracket does not interfere with the inner cavity supports.

Locate a stud or other solid mounting source, and install the anti-tip bracket at the same level as this line.

Push the unit back, and ensure that the rear base flange fits under the anti-tip bracket.



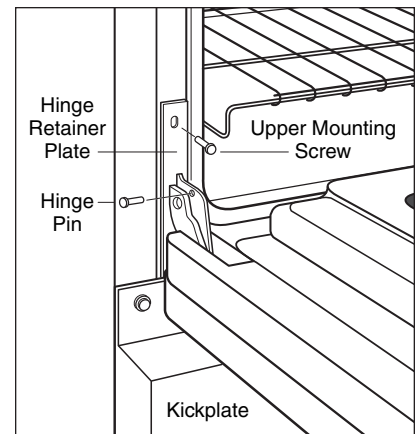
**Anti-tip bracket installation**

**OVEN DOOR REINSTALLATION**

**IMPORTANT NOTE:** The oven door(s) should not be removed unless it is necessary to fit the range through a tight doorway. Door removal should only be done by a qualified service technician or installer. Door removal and reinstallation may cause damage to the oven porcelain interior.

**If the oven door(s) have been removed as described on page 12, follow these steps to reinstall:**

- 1) Hold the oven door on both sides and position it with door hinges aligned with openings in the oven frame.
- 2) Holding the oven door at an approximate 30° angle from vertical, slide the hinges into the openings until the bottom hinge arms drop fully into the hinge receptacles.
- 3) Open the oven door to its fully opened position. Remove the hinge pin from the appropriate hinge arm. Refer to the illustration below.
- 4) Reinstall the hinge retainer plate with upper and lower mounting screws.
- 5) Open and close the door completely to ensure that it is properly installed.
- 6) For 48" (1219) and 60" (1524) ranges, complete these steps for both oven doors.
- 7) Reinstall the lower kickplate assembly.



**Oven door reinstallation**

**IMPORTANT NOTE:** Fully extend the hinge claw which is opposite the hinge pin location and insert into the hinge pocket prior to inserting opposite side. This will ease the installation of the oven door.

### ⚠ CAUTION

**Do not lift or carry the oven door by the door handle.**

## SURFACE BURNERS

### INITIAL LIGHTING

The surface burners use electronic igniters in place of standing pilots. When the range control knob is pushed in and turned to the HIGH position, the system creates a spark to light the burner. This sparking continues until the electronic ignition senses a flame.

Be sure to place the burner heads on each burner base and position the burner grates over the burner bases and heads before lighting.

To check operation of the surface burners, push in and turn each control knob to the HIGH position. The flame should light within four seconds.

If the burners do not light properly, turn control knob to the OFF position. Check that the burner caps are in the proper position. Check that the power supply cord is plugged in and that the circuit breaker or house fuse has not blown. Check that the shut-off valve is in the ON position. Check operation again; if the burners do not light properly at this point, contact a Wolf authorized service center.

**IMPORTANT NOTE:** Initial lighting of the surface burners may take slightly longer, as air in the system must be purged before gas can be supplied to the burner.

### VERIFY RANGE OPERATION

**IMPORTANT NOTE:** Prior to operating the range, be sure to read the entire Wolf Dual Fuel Ranges Use & Care Information included with the range for important safety, service and warranty information.

Install the oven rack guides onto the shoulder screws located on the interior side walls of the oven. Slide the oven racks onto the support racks within the oven. There are three racks per oven, except for the 18" (457) oven which has two racks. Place the broiler pan and grid on a rack within the oven, if desired.

Turn on the power supply to the range. The control panel should be closed (no visible control pads). Touch and slightly depress the flame graphic on the hidden control panel to open.

Set the time of day by pressing the **CLOCK** touch pad, scroll to the desired time by using the up or down arrows, then touch **ENTER**. After setting the time, the hidden control panel can be closed. The control panel does not have to be open to operate the oven.

Select any of the eight cooking modes by using the oven control knob bezel and turning to the desired mode. Once the mode has been selected, the temperature can be adjusted by turning the temperature readout knob clockwise to increase the temperature or counter-clockwise to decrease the temperature. Verify that the oven is coming up to temperature. For a 48" (1219) or 60" (1524) range, follow this procedure for the both ovens.

**IMPORTANT NOTE:** A small amount of smoke and odor may be noticed during the initial break-in period. Refer to the Use & Care Information for additional information.

### REMOVING THE RANGE

If removing the dual fuel range is necessary for cleaning or service, shut off the gas supply. Disconnect the gas supply and electrical connections to the unit, then remove the range. Reinstall in the reverse order and be sure to check the gas connection for leaks.

Refer the Wolf Dual Fuel Ranges Use & Care Information included with the range for cleaning recommendations.

#### **⚠ WARNING**

**Be sure to disconnect the gas supply and electrical connections before removing the range.**

### TROUBLESHOOTING

**IMPORTANT NOTE:** If the dual fuel range does not operate properly, follow these troubleshooting steps:

- Verify that power is being supplied to the range.
- Check the gas supply and electrical connections to ensure that the installation has been completed correctly.
- Check that gas valves are turned to the ON position.
- Follow troubleshooting procedures as described in the Wolf Dual Fuel Ranges Use & Care Information.
- If the range still does not work, contact a Wolf authorized service center. Do not attempt to repair the range yourself. Wolf is not responsible for service required to correct a faulty installation.

### IF YOU NEED SERVICE

- If service is necessary, maintain the quality built into your dual fuel range by calling a Wolf authorized service center.
- To obtain the name and number of a Wolf authorized service center, check the Contact & Support section of our website, **wolfappliance.com** or call Wolf Customer Service at **800-332-9513**.
- When calling for service, you will need the dual fuel range model and serial numbers. Both numbers are listed on the rating plate, located at the far right of the bottom of the control panel assembly just above the oven door.

### WIRING DIAGRAM

The wiring diagram covering the control circuit is located behind the control panel on top of the cavity insulation retainer and under the control board.

### CONTACT INFORMATION

**Wolf Customer Service:**  
**800-332-9513**  
**Website:**  
**wolfappliance.com**

The information and images in this book are the copyright property of Wolf Appliance, Inc., an affiliate of Sub-Zero, Inc. Neither this book nor any information or images contained herein may be copied or used in whole or in part without the express written permission of Wolf Appliance, Inc., an affiliate of Sub-Zero, Inc.

©Wolf Appliance, Inc. all rights reserved.

WOLF APPLIANCE, INC. P. O. BOX 44848 MADISON, WI 53744 800-332-9513 WOLFAPPLIANCE.COM

**WOLF**<sup>®</sup>

813625

9/2008

