



## 24" Undercounter Wine Storage

Better wine storage conditions for the bottle ultimately means better enjoyment in the glass. Undercounter model 424 has a wine storage capacity of 46 (750 ml) bottles. Two independent storage zones maintain the temperature and humidity that wine – and wine lovers – require. Model 424G is available in overlay and stainless steel design applications.



Model 424G/S/TH shown.

### FEATURES

- Overlay and stainless steel design options.
- Undercounter design allows for dual installation with undercounter unit.
- Individual temperature control of two separate compartments.
- Maintains ideal storing and serving temperature for all wines, humidity and UV protection.
- Temperature zones range from 38°F to 65°F.
- Full-view, UV-resistant glass door—high altitude glass available.
- Illuminated touch control panel.
- Discreet interior lighting.
- Wine shelves accommodate 750 ml bottles, half-bottles and magnums.
- Roller-glide wine shelves with natural cherrywood facing have three-quarter extension for easy access.
- Can be connected to home security system.
- Star-K compliant with installation of a harness kit.

### MODEL OPTIONS

MODEL OPTIONS	424G/O	424G/S/TH	424G/S/PH
Design/Finish	Overlay	Stainless Steel	Stainless Steel
Handle	*	Tubular	Pro

*\*Handle not included to allow for design flexibility.*

### ACCESSORIES

- Stainless steel tubular and pro handles.
- UL approved door lock.

*Accessories are available through your Sub-Zero dealer. For local dealer information, visit the find a showroom section of our website, [subzero.com](http://subzero.com).*

### ENEMIES OF WINE

**Heat** – Two independent storage zones can be set in a range of 38°F to 65°F, with one-degree digital accuracy.

**Light** – UV resistant bronze tinted glass shields wines from harmful rays.

**Humidity** – Dual evaporators, one for each storage zone, maintain steady, moderate humidity.

**Vibration** – Sub-Zero's quiet compressor lets wines rest undisturbed. Shelves glide out smoothly, providing access without agitating the wine.

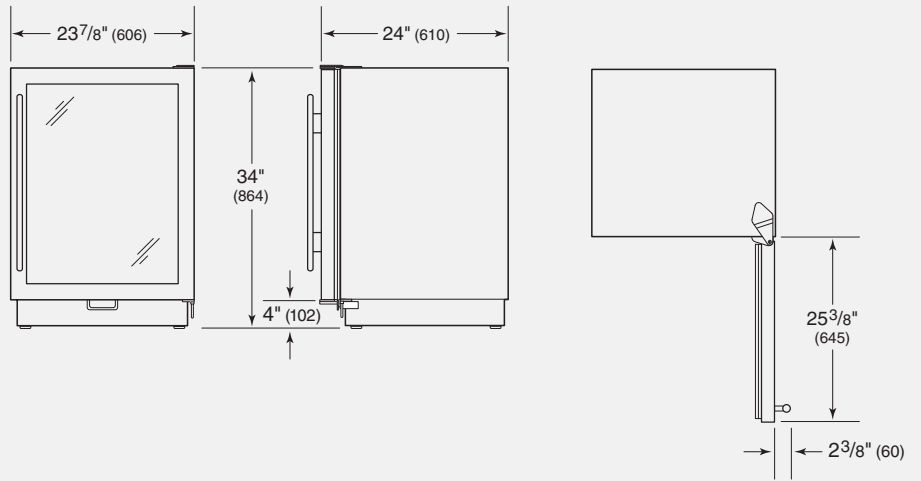
*For additional information on the enemies of wine, visit [www.subzerowine.com](http://www.subzerowine.com).*





## 24" Undercounter Wine Storage

### OVERALL DIMENSIONS



Overall dimensions are based on stainless steel panels and handles.  
Unit dimensions may vary by  $\pm 1/8$ ".

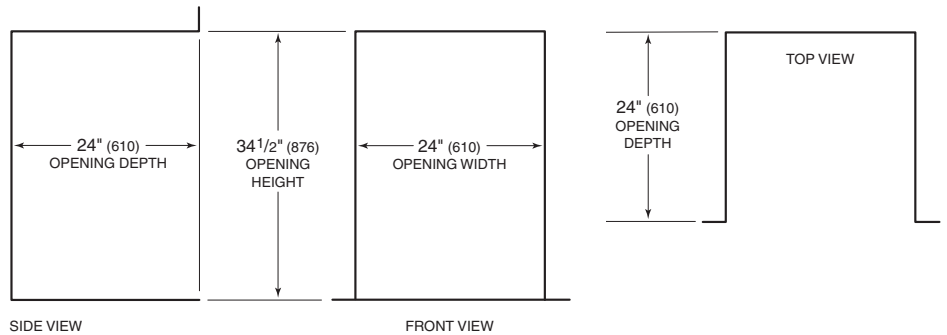
### SPECIFICATIONS

Overall Width	23 7/8"
Overall Height	34"
Overall Depth	24"
Door Clearance	25 3/8"
Wine Storage Capacity	46 bottles*
Opening Width	24"
Opening Height	34 1/2"
Opening Depth	24"
Electrical Requirements	115 V AC, 60 Hz 15 amp dedicated circuit
Shipping Weight	195 lbs

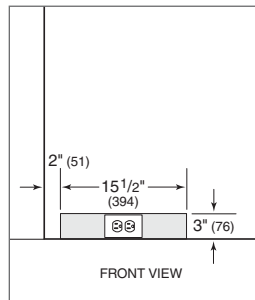
\*750 ml bottles.

### INSTALLATION SPECIFICATIONS

#### Opening Dimensions



#### Location of Electrical Supply



### INSTALLATION NOTES

For overlay models, you will be adding a door panel for a custom look. Overlay models also allow you to match surrounding cabinetry hardware.

Complete installation specifications, including panel sizes, can be found on our website, [subzero.com/specs](http://subzero.com/specs).

Dimensions in parentheses are in millimeters unless otherwise specified.