

SUB-ZERO DESIGN GUIDE



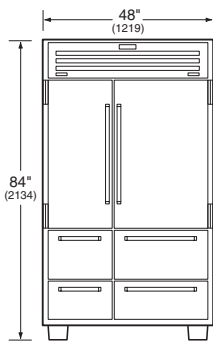
SUB-ZERO



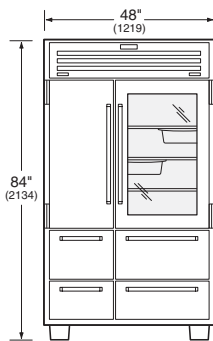
MODEL 648PRO

PRO 48 Refrigeration. Freshness finds unmistakable expression in the Sub-Zero PRO 48. An 800-pound monument to food preservation—equal parts sculpted metal design statement and culinary secret weapon. Its vast interior, like its bold exterior, is crafted of stainless steel. The PRO 48 is available with or without a glass door and may be either built in or freestanding.

PRO 48 MODELS



648PRO



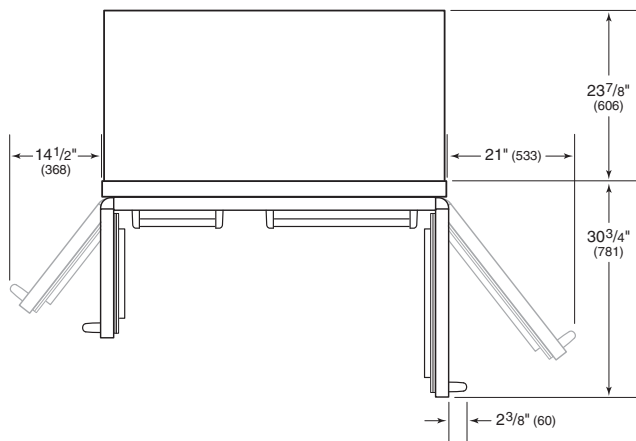
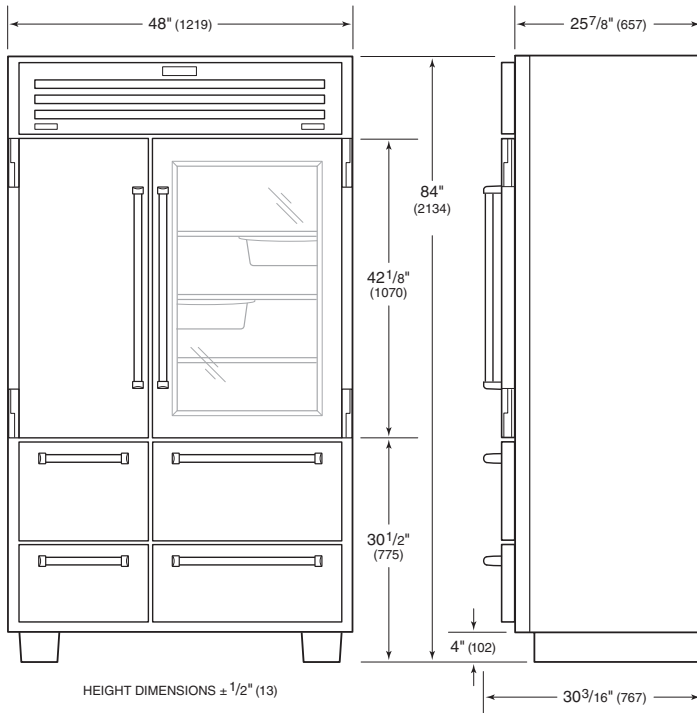
648PROG

KEY FEATURES

- Can be used freestanding or installed as a standard or flush built-in application.
- Handles coordinate with handles of Wolf ranges.
- Stainless steel interior as well as exterior.
- Dual refrigeration system enhanced with triple evaporators allow independent control of storage conditions in refrigerator cabinet and drawer compartments.
- Advanced water filtration system.
- Exterior temperature display.
- Flip-up grille provides easy access for quick routine maintenance.
- Star-K certified.

PRO 48 Models

OVERALL DIMENSIONS



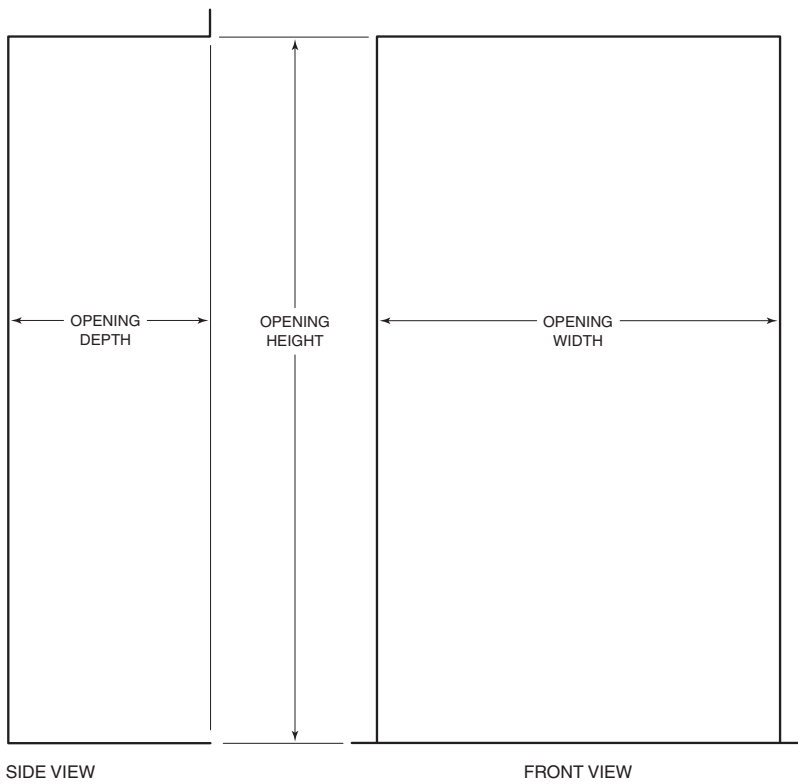
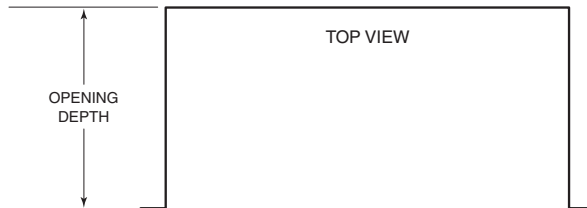
SPECIFICATIONS

Capacity / Weight		
INTERIOR CAPACITY	R CU FT (L)	F CU FT (L)
648PRO and 648PROG	18.4 (521)	11.7 (331)
SHIPPING WEIGHT		LBS (KG)
648PRO		860 (390)
648PROG		875 (397)

MODELS 648PRO AND 648PROG

PRO 48 Models

STANDARD AND FLUSH BUILT-IN INSTALLATIONS



Opening Dimensions	Standard	Flush
Opening Width	47 1/2" (1206)	48" (1219)
Opening Height	83 3/4" (2127)	84 1/8" (2137)
Opening Depth	24" (610)	26" (660)

IMPORTANT NOTE: For standard built-in installations, the face frame of the unit will extend 2" (51) beyond cabinetry. In flush built-in installations, the front of the face frame will be flush with surrounding cabinetry.

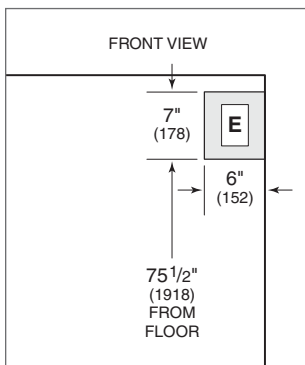
Planning Information

PRO 48 models can be used freestanding or installed as a standard or flush built-in application. For standard built-in installations, the face frame of the unit will extend 2" (51) beyond cabinetry. In flush built-in installations, the front of the face frame will be flush with surrounding cabinetry.

ELECTRICAL REQUIREMENTS

For PRO 48 models, the electrical supply should be located within the shaded area shown in the illustration below. Follow the National Electrical Code and local codes and ordinances when installing the receptacle. A separate circuit, servicing only this appliance, is required. A ground fault circuit interrupter (GFCI) is not recommended and may cause interruption of operation.

Electrical Requirements	
Power Supply	115 V AC, 60 Hz
Circuit Breaker	15 amp
Receptacle	3-prong grounding-type



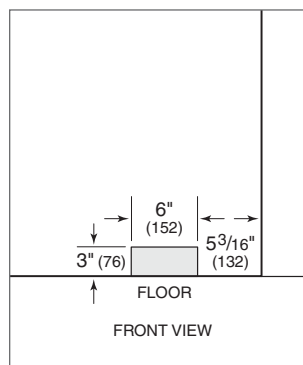
Location of electrical supply.

PLUMBING REQUIREMENTS

PRO 48 models come with an automatic ice maker and an integrated water filtration system. The water supply line should be located within the shaded area shown in the illustration below. The water supply line should be connected to the house supply with an easily accessible shut-off valve between the supply and the unit. Do not use self-piercing valves. A saddle valve kit (4200880) is available through your authorized Sub-Zero dealer. The water line must not interfere with installation of the anti-tip brackets.

IMPORTANT NOTE: A reverse osmosis system can be used provided there is constant water pressure of 35 psi (2.4 bar) to 120 psi (8.3 bar) supplied to the unit at all times. In this application, the integrated water filtration system must be set to bypass mode. This is achieved by removing the water filter cartridge. Refer to the PRO 48 installation guide packed with the unit for detailed instructions.

Plumbing Requirements	
Water Supply Line	1/4" OD copper line
Water Pressure	35–120 psi (2.4–8.3 bar)
Excess Water Line for Connection	36" (914)



Location of water supply.

Accessories

These optional accessories are available through your authorized Sub-Zero dealer. For local dealer information, visit the showroom locator section of our website, subzero.com.

- Freestanding kit, which contains two stainless steel side panels and top lid.
- Stainless steel side panel.
- Refrigerator drawer dividers for compartmentalized storage.
- Stainless steel slide-out refrigerator bin.
- Dozen egg container.
- 90° door stop.