

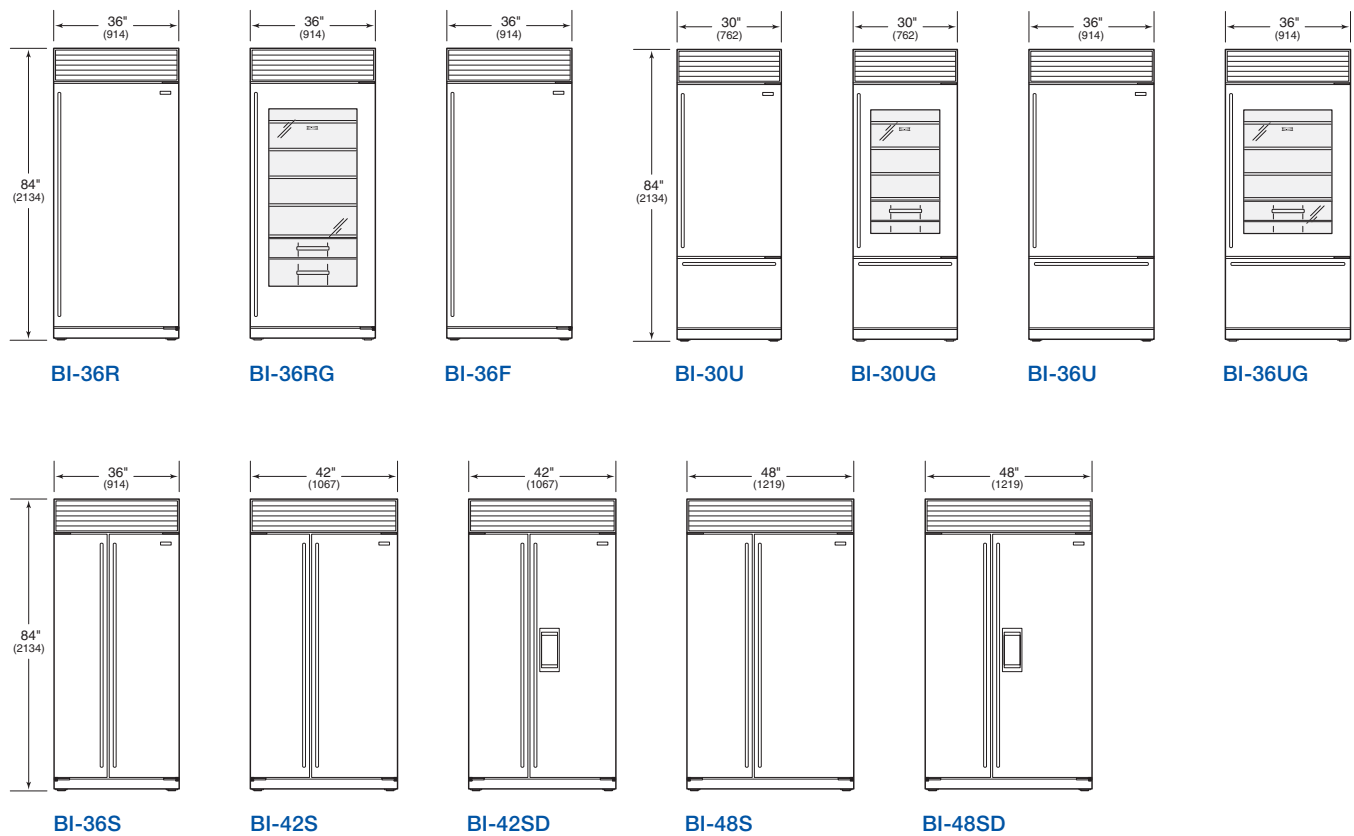
SUB-ZERO DESIGN GUIDE



SUB-ZERO

Built-In Refrigeration. For the built-in line, Sub-Zero designers and engineers took a fresh look at everything, inside and out. Exterior refinements include redesigned grilles and lower-profile hinges. Inside, new technology in food preservation makes the built-in line nothing short of revolutionary.

BUILT-IN MODELS



KEY FEATURES

- Four distinct design approaches: framed, overlay, flush inset and stainless steel.
- Handle options coordinate with handles of Wolf cooking products.
- Dual refrigeration; two compressors preserve food's goodness in two sealed compartments.
- Energy efficient; many models are ENERGY STAR® qualified.
- Advanced water filtration and air purification systems.
- Crisper and deli drawers form a lower-temperature zone for produce and meats.
- Flip-up grille provides easy access for quick routine maintenance.
- All models are Star-K certified.

Built-In Design Options. A design classic is now even better. Four distinct design approaches provide limitless flexibility for creating a beautiful kitchen. Lower-profile hinges enable the built-in units to blend more seamlessly with surrounding cabinetry.



Framed. Custom cabinetry panels slide into the door to blend into the kitchen design. Shown with full-length handle and louvered grille option for the traditional Sub-Zero look.



Overlay. Custom cabinet overlay panels can be combined with unique hardware for design flexibility. Shown with pro handle option to complement Wolf ranges.



Flush Inset. This design option allows for a flush door and grille. Stainless steel panels are available as sales accessories. Shown with tubular handle option to mirror Wolf built-in ovens.



Stainless Steel. For a professional look, this design requires no customization. To complement the look of Wolf ranges, choose the pro handle option shown here.

Built-In Models

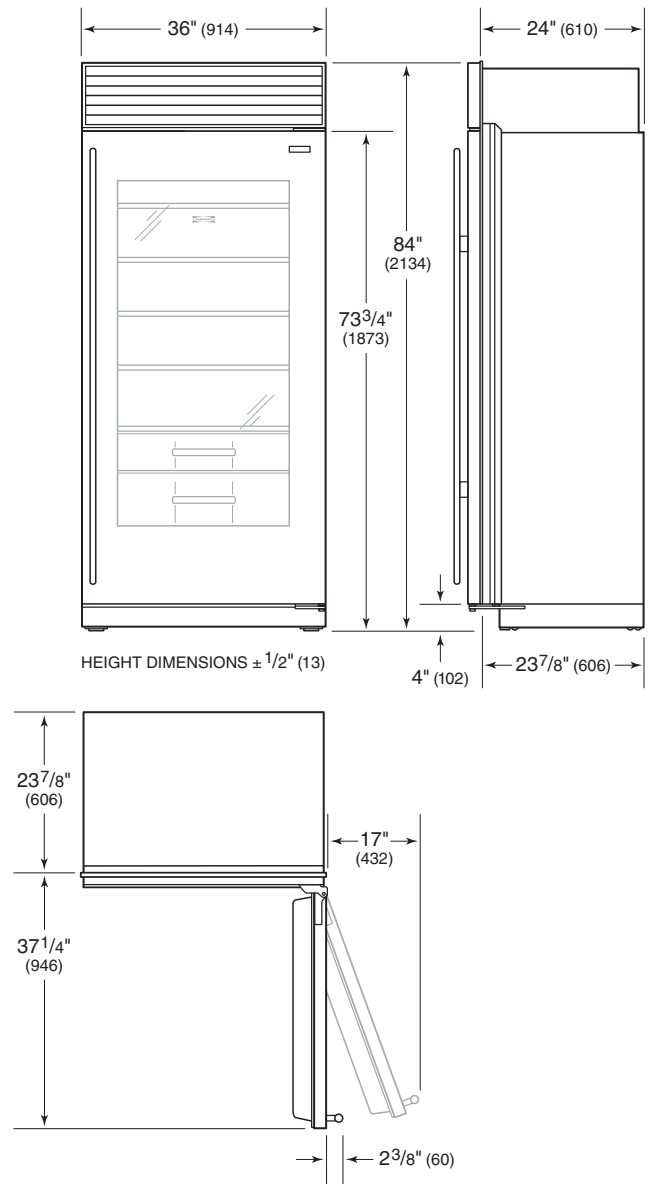
SPECIFICATIONS

Interior Capacity	R cu ft (L)	F cu ft (L)
ALL REFRIGERATOR / ALL FREEZER MODELS		
BI-36R	23.4 (663)	
BI-36RG	23.2 (657)	
BI-36F		22.8 (646)
OVER-AND-UNDER MODELS		
BI-30U	13.0 (368)	4.1 (116)
BI-30UG	13.0 (368)	4.1 (116)
BI-36U	16.2 (459)	5.3 (150)
BI-36UG	16.1 (447)	5.3 (150)
SIDE-BY-SIDE MODELS		
BI-36S	12.2 (346)	8.0 (227)
BI-42S	16.1 (456)	8.0 (227)
BI-42SD	16.0 (453)	8.1 (230)
BI-48S	18.8 (532)	9.5 (269)
BI-48SD	18.7 (530)	9.7 (265)

Shipping Weight	lbs (kg)
ALL REFRIGERATOR / ALL FREEZER MODELS	
BI-36R	420 (191)
BI-36RG	430 (195)
BI-36F	406 (184)
OVER-AND-UNDER MODELS	
BI-30U	462 (210)
BI-30UG	476 (216)
BI-36U	515 (234)
BI-36UG	529 (240)
SIDE-BY-SIDE MODELS	
BI-36S	538 (244)
BI-42S	582 (264)
BI-42SD	608 (276)
BI-48S	630 (286)
BI-48SD	656 (298)

All Refrigerator / All Freezer Models

OVERALL DIMENSIONS

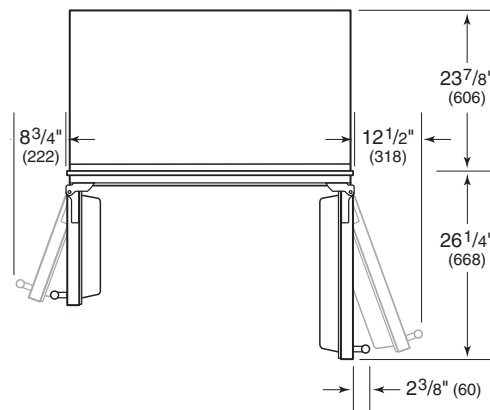
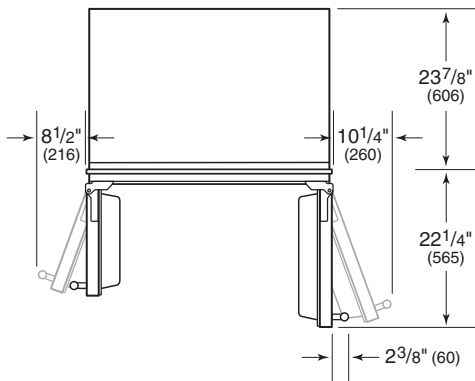
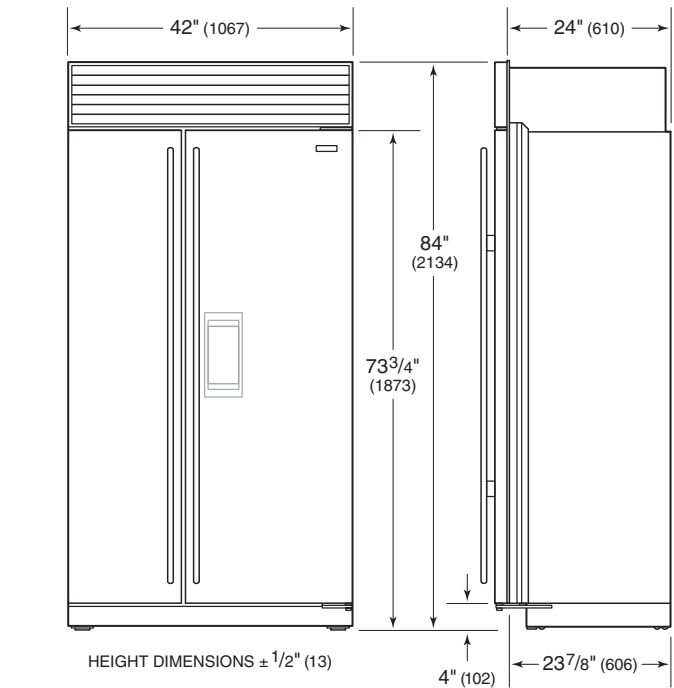
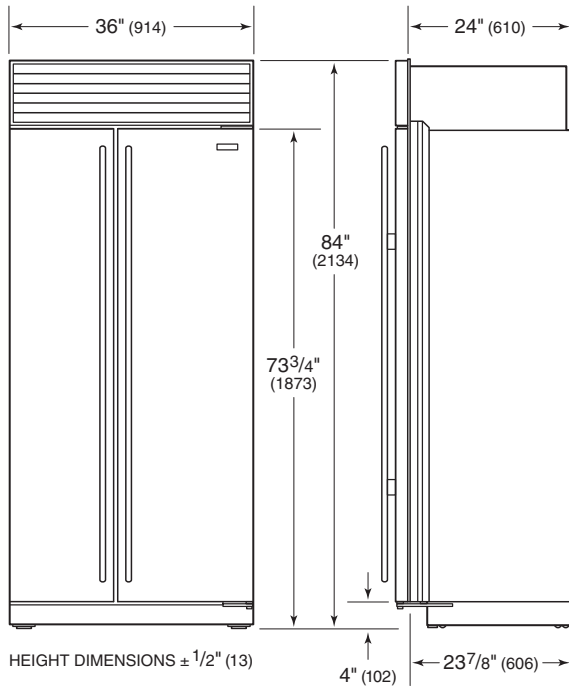


MODELS BI-36R, BI-36RG AND BI-36F

Shipping weights and overall dimensions are based on stainless steel models. For flush inset applications, add 1/2" (13) to door clearance dimensions.

Side-by-Side Models

OVERALL DIMENSIONS



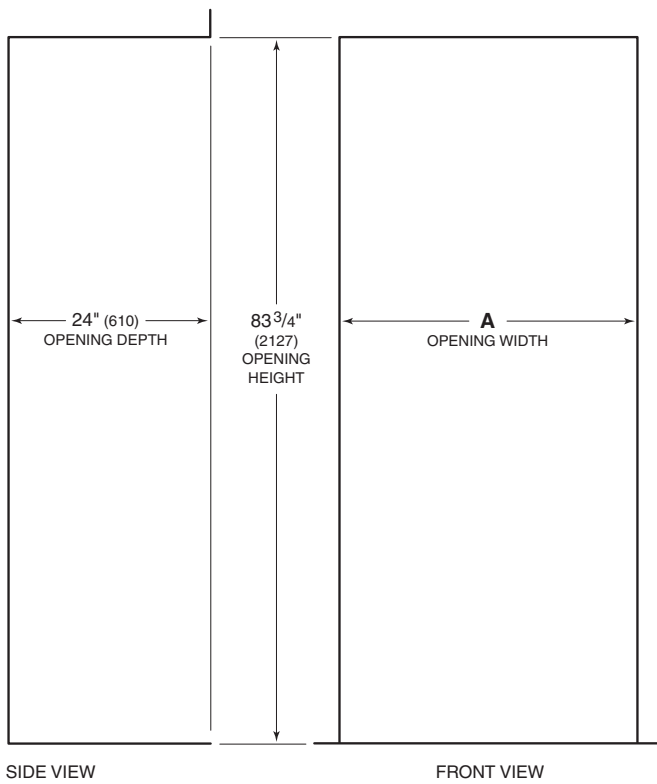
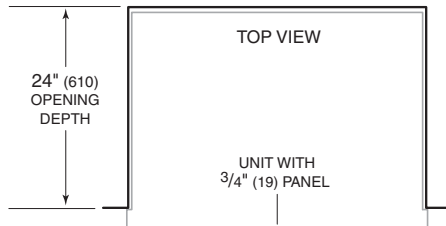
MODEL BI-36S

MODELS BI-42S AND BI-42SD

Overall dimensions are based on stainless steel models.
 For flush inset applications, add 1/2" (13) to door clearance dimensions.

Built-In Models

STANDARD INSTALLATION



Opening Width	A
BI-36R, BI-36RG and BI-36F	35 1/2" (902)
BI-30U and BI-30UG	29 1/2" (746)
BI-36U and BI-36UG	35 1/2" (902)
BI-36S	35 1/2" (902)
BI-42S and BI-42SD	41 1/2" (1054)
BI-48S and BI-48SD	47 1/2" (1206)

IMPORTANT NOTE: If two units are installed side by side, refer to pages 30–31 for dual standard installations.

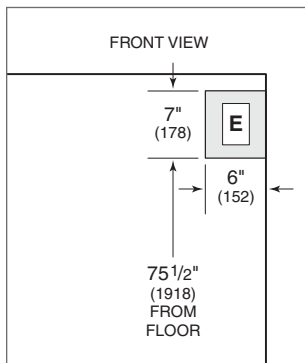
Stainless steel models are ready to install out of the box.

Planning Information

ELECTRICAL REQUIREMENTS

For all built-in models, the electrical supply should be located within the shaded area shown in the illustration. Follow the National Electrical Code and local codes and ordinances when installing the receptacle. A separate circuit servicing only this appliance is required. A ground fault circuit interrupter (GFCI) is not recommended and may cause interruption of operation.

Electrical Requirements	
Power Supply	115 V AC, 60 Hz
Circuit Breaker	15 amp
Receptacle	3-prong grounding-type



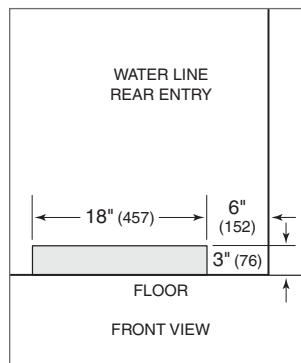
Location of electrical supply.

PLUMBING REQUIREMENTS

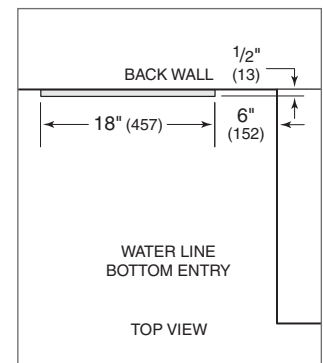
All built-in models with an automatic ice maker come with a microbiological water filtration system. The water supply line should be located within the shaded area shown in the illustrations. The water supply line should be connected to the house supply with an easily accessible shut-off valve between the supply and the unit. Do not use self-piercing valves. A saddle valve kit (4200880) is available through your authorized Sub-Zero dealer. The water line must not interfere with installation of the anti-tip brackets.

IMPORTANT NOTE: A reverse osmosis system can be used provided there is constant water pressure of 30 psi (2.1 bar) to 100 psi (6.9 bar) supplied to the unit at all times. In this application, the microbiological water filtration system should be set to bypass mode by removing the water filter cartridge and inserting the bypass plug (7005018) available through your authorized Sub-Zero dealer. Installation instructions packed with the unit will outline this procedure.

Plumbing Requirements	
Water Supply Line	1/4" OD copper line
Water Pressure	30–100 psi (2.1–6.9 bar)
Excess Water Line for Connection	36" (914)



Location of water supply—rear.



Location of water supply—bottom.



Custom cabinetry panels slide into the door to blend into the kitchen design. Shown with full-length handle and louvered grille option for the traditional Sub-Zero look.

Framed Application

IMPORTANT NOTE: The framed application is not a separate model. This is an overlay unit in a framed application.

The framed panel design option is available for all built-in overlay models. You must specify panels, full-length handles and a framed grille insert to achieve the traditional framed look. For exact door panel dimensions refer to framed panel specifications on the following pages. Also refer to the full-scale templates at the end of this section for additional panel and handle considerations.

Optional extended full-length handles that provide additional finger clearance for raised panels are available through your authorized Sub-Zero dealer.

Framed Panel Requirements

MAX WEIGHT PER PANEL

BI-36R, BI-36RG and BI-36F	75 lbs (34 kg)
All Other Framed Panels	50 lbs (23 kg)

MIN PANEL THICKNESS

All Framed Panels	1/4" (6)
-------------------	----------

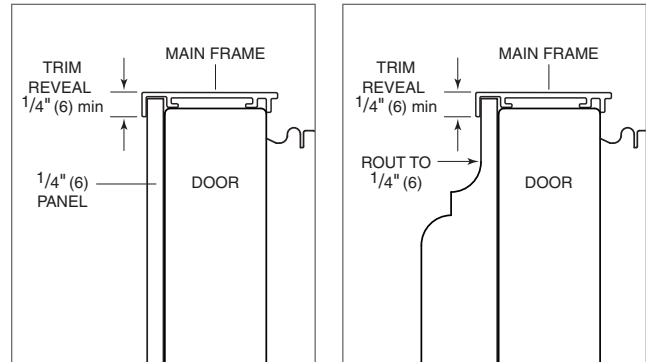
Framed Panels

If the thickness of the custom panels is less than 1/4" (6), they must be backed up with a sheet of shim material to build the total thickness to 1/4" (6). If the panel is thicker than 1/4" (6), a routed edge must be provided around the panel to ensure a proper fit. Refer to the illustrations.

IMPORTANT NOTE: For framed design applications, routing, recessing or optional extended handles may be required on raised panels for finger clearance under the handle. Refer to the full-scale templates at the end of this section.

IMPORTANT NOTE: Do not cover a glass door with a solid panel. Also, the edges of the window cut-out will need to be finished, as they will be exposed.

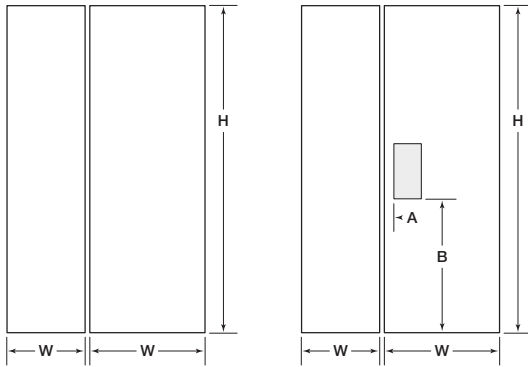
IMPORTANT NOTE: When installing two units in a side-by-side application, refer to pages 30–31 for dual standard installations. Be aware that rough opening dimensions are different for this application.



Panels 1/4" (6) thick or less.

Panels thicker than 1/4" (6).

Framed Panels



BI-36S / BI-42S / BI-48S

BI-42SD / BI-48SD

Model BI-36S			
REFRIGERATOR	W	H	
Door Panel	19 ¹³ / ₁₆ " (503)	69 ⁹ / ₁₆ " (1767)	
FREEZER	W	H	
Door Panel	15 ⁷ / ₁₆ " (392)	69 ⁹ / ₁₆ " (1767)	

Models BI-42S and BI-42SD			
REFRIGERATOR	W	H	
Door Panel	24 ¹³ / ₁₆ " (630)	69 ⁹ / ₁₆ " (1767)	
FREEZER	W	H	
Door Panel	16 ⁷ / ₁₆ " (418)	69 ⁹ / ₁₆ " (1767)	
BI-42SD	W	H	
Dispenser Cut-Out	5 ⁷ / ₈ " (149)	12 ⁷ / ₁₆ " (316)	
Cut-Out Location	A	B	
	1 ⁷ / ₈ " (48)	28 ³ / ₄ " (730)	

Models BI-48S and BI-48SD			
REFRIGERATOR	W	H	
Door Panel	28 ¹ / ₂ " (724)	69 ⁹ / ₁₆ " (1767)	
FREEZER	W	H	
Door Panel	18 ³ / ₄ " (418)	69 ⁹ / ₁₆ " (1767)	
BI-48SD	W	H	
Dispenser Cut-Out	5 ⁷ / ₈ " (149)	12 ⁷ / ₁₆ " (316)	
Cut-Out Location	A	B	
	1 ⁷ / ₈ " (48)	28 ³ / ₄ " (730)	

For models BI-42SD and BI-48SD, panel thickness in the dispenser area can range from 1/4" (6) to a maximum of 1 1/8" (29). If the panel is thicker, you must rout out a minimum 1/4" (6) flat landing area to accommodate the glasswell bezel.

Framed Application

OPTIONAL GRILLE PANEL

A panel grille, providing an 84" (2134) finished height, is standard on overlay models. Optional panel grilles are available for 83" (2108) and 88" (2235) finished heights.

Grille panel dimensions listed are for a standard 84" (2134) finished height. For an 83" (2108) finished height, subtract 1" (25) from grille panel height dimensions. For an 88" (2235) finished height, add 4" (102) to height dimensions.

Optional Grille Panel	W	H
30" (762) Models	29 ³ / ₄ " (756)	8 ¹⁵ / ₁₆ " (227)
36" (914) Models	35 ³ / ₄ " (908)	8 ¹⁵ / ₁₆ " (227)
42" (1067) Models	41 ³ / ₄ " (1060)	8 ¹⁵ / ₁₆ " (227)
48" (1219) Models	47 ³ / ₄ " (1213)	8 ¹⁵ / ₁₆ " (227)

Grille Panel Requirements	
MAX WEIGHT	
Grille Panel	13 lbs (6 kg)
MIN PANEL THICKNESS	
Grille Panel	1/4" (6)



Optional grille panel.

Framed Application

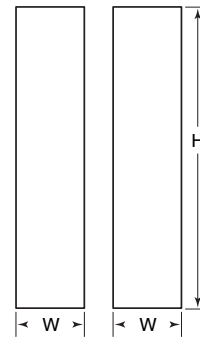
PARTIAL FRAMED OPTION

If you choose not to use custom panels above and below the glasswell for dispenser model BI-42SD or BI-48SD, a stainless steel insert panel is available as a sales accessory. This accessory kit includes partial framed molding and stainless steel panel to provide a spill-resistant finish above and below the glasswell on the refrigerator door only. The partial framed accessory kit (7004855) is available through your authorized Sub-Zero dealer. Refer to panel dimensions for the partial framed option below.

IMPORTANT NOTE: When using raised panels with the partial framed kit, a 1/2" (13) trim reveal down to 1/4" (6) thickness is necessary at the bezel for the panels to fit properly.



Partial framed kit.



BI-42SD / BI-48SD
Partial framed option.

Optional Partial Framed Panels			
BI-42SD		W	H
Refrigerator Panel	15 ¹ / ₁₆ " (383)	69 ⁹ / ₁₆ " (1767)	
Freezer Panel	16 ⁷ / ₁₆ " (418)	69 ⁹ / ₁₆ " (1767)	
BI-48SD		W	H
Refrigerator Panel	16 ³ / ₄ " (425)	69 ⁹ / ₁₆ " (1767)	
Freezer Panel	18 ³ / ₄ " (476)	69 ⁹ / ₁₆ " (1767)	



Custom cabinet overlay panels can be combined with unique hardware for design flexibility. Shown with pro handle option to complement Wolf ranges and rangetops.

Overlay Panels

If you and your client have ordered an overlay model, you will be adding panels and handles to give the unit a more custom look. The overlay panel design option is available for all built-in overlay models. For exact door panel dimensions, refer to overlay panel specifications on the following pages.

IMPORTANT NOTE: Overlay models can be used in an overlay or a flush inset application. Be aware that the application specified will affect panel sizes, rough opening dimensions and installation.

The overlay design allows decorative panels to cover the door trim for a more seamless appearance that blends with the design of the room. The most common way to achieve this look is to work with three panels—the decorative overlay panel, which is typically 3/4" (19), a .10" (3) spacer panel and a 1/4" (6) backer panel. Depending on your cabinet manufacturer, this could also be one panel routed for different dimensions.

Regardless of the physical construction of the panels (three-panel assembly or routed panel), you will need to follow the overlay panel specifications on the following pages for exact sizing and panel placement to ensure a proper fit.

Overlay Panel Requirements

MAX WEIGHT PER PANEL

BI-36R, BI-36RG and BI-36F	75 lbs (34 kg)
All Other Overlay Models	50 lbs (23 kg)
Grille Panel	13 lbs (6 kg)

MIN PANEL THICKNESS

All Overlay Panels	5/8" (16)
--------------------	-----------

Overlay Panels

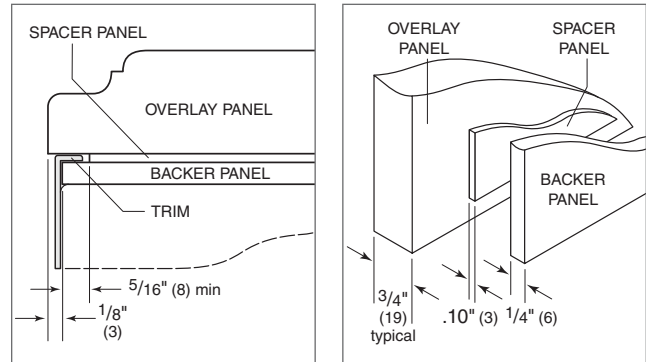
The illustrations provide a cross section view of the three-panel assembly, showing placement of the trim and a rear view of the three-panel assembly with critical dimensions, standard for all built-in models.

Overlay grille panels for the panel grille match the design of the overlay door panels. Dimensions for the grille panel are listed in the overlay panel specifications on the following pages.

IMPORTANT NOTE: On glass door models, the edges of the overlay, spacer and backer panels of the window cut-out will need to be finished, as they will be exposed.

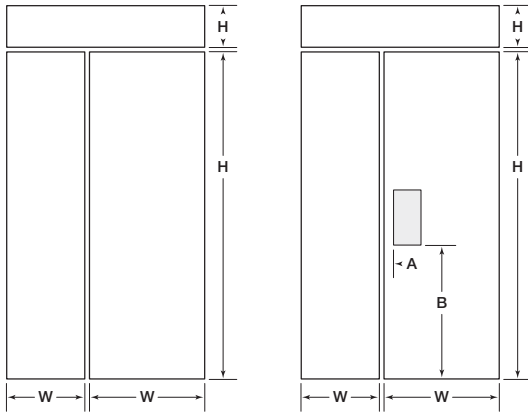
IMPORTANT NOTE: When installing two units in a side-by-side application, refer to pages 30–31 for dual standard installations. Be aware that rough opening dimensions are different for this application.

⚠ CAUTION
Do not exceed overlay panel dimensions, as this could cause damage to panels and the Sub-Zero unit.



Panel assembly cross section. Panel assembly rear view.

Overlay Panels



BI-36S / BI-42S / BI-48S BI-42SD / BI-48SD

Model BI-36S			
REFRIGERATOR	W	H	
Overlay Panel	20 ¹ / ₁₆ " (51)	69 ³ / ₄ " (1772)	
Spacer Panel	19 ³ / ₁₆ " (487)	68 ¹⁵ / ₁₆ " (1751)	
Backer Panel	19 ¹³ / ₁₆ " (503)	69 ⁹ / ₁₆ " (1767)	
FREEZER	W	H	
Overlay Panel	15 ¹¹ / ₁₆ " (398)	69 ³ / ₄ " (1772)	
Spacer Panel	14 ¹³ / ₁₆ " (376)	68 ¹⁵ / ₁₆ " (1751)	
Backer Panel	15 ⁷ / ₁₆ " (392)	69 ⁹ / ₁₆ " (1767)	
GRILLE	W	H	
Overlay Panel	36" (914)	9 ¹ / ₄ " (235)*	
Spacer Panel	35 ¹ / ₈ " (892)	8 ⁵ / ₁₆ " (211)	
Backer Panel	35 ³ / ₄ " (908)	8 ¹⁵ / ₁₆ " (227)	

Models BI-42S and BI-42SD			
REFRIGERATOR	W	H	
Overlay Panel	25 ¹ / ₁₆ " (637)	69 ³ / ₄ " (1772)	
Spacer Panel	24 ³ / ₁₆ " (614)	68 ¹⁵ / ₁₆ " (1751)	
Backer Panel	24 ¹³ / ₁₆ " (630)	69 ⁹ / ₁₆ " (1767)	
FREEZER	W	H	
Overlay Panel	16 ¹¹ / ₁₆ " (424)	69 ³ / ₄ " (1772)	
Spacer Panel	15 ¹³ / ₁₆ " (402)	68 ¹⁵ / ₁₆ " (1751)	
Backer Panel	16 ⁷ / ₁₆ " (418)	69 ⁹ / ₁₆ " (1767)	
GRILLE	W	H	
Overlay Panel	42" (1067)	9 ¹ / ₄ " (235)*	
Spacer Panel	41 ¹ / ₈ " (1045)	8 ⁵ / ₁₆ " (211)	
Backer Panel	41 ³ / ₄ " (1060)	8 ¹⁵ / ₁₆ " (227)	
BI-42SD	W	H	
Dispenser Cut-Out	5 ⁷ / ₈ " (149)	12 ⁷ / ₁₆ " (316)	
	A	B	
Cut-Out Location	2" (51)	28 ¹³ / ₁₆ " (732)	

Models BI-48S and BI-48SD			
REFRIGERATOR	W	H	
Overlay Panel	28 ³ / ₄ " (730)	69 ³ / ₄ " (1772)	
Spacer Panel	27 ⁷ / ₈ " (708)	68 ¹⁵ / ₁₆ " (1751)	
Backer Panel	28 ¹ / ₂ " (724)	69 ⁹ / ₁₆ " (1767)	
FREEZER	W	H	
Overlay Panel	19" (483)	69 ³ / ₄ " (1772)	
Spacer Panel	18 ¹ / ₈ " (460)	68 ¹⁵ / ₁₆ " (1751)	
Backer Panel	18 ³ / ₄ " (476)	69 ⁹ / ₁₆ " (1767)	
GRILLE	W	H	
Overlay Panel	48" (1219)	9 ¹ / ₄ " (235)*	
Spacer Panel	47 ¹ / ₈ " (1197)	8 ⁵ / ₁₆ " (211)	
Backer Panel	47 ³ / ₄ " (1213)	8 ¹⁵ / ₁₆ " (227)	
BI-48SD	W	H	
Dispenser Cut-Out	5 ⁷ / ₈ " (149)	12 ⁷ / ₁₆ " (316)	
	A	B	
Cut-Out Location	2" (51)	28 ¹³ / ₁₆ " (732)	

*Panel height may be increased by 1/2" (13) to hide upper main frame. For more information, refer to the built-in panel configurator at subzero.com/trade/panels.

Grille panel dimensions listed are for a standard 84" (2134) finished height. For an 83" (2108) finished height, subtract 1" (25) from grille panel height dimensions. For an 88" (2235) finished height, add 4" (102) to height dimensions. An 83" (2108) or 88" (2235) panel grille must be ordered to accept an 83" (2108) or 88" (2235) custom panel. Width dimensions do not vary.



This design option allows for a flush door and grille. Stainless steel panels are available as sales accessories. Shown with tubular handle option to mirror Wolf built-in ovens.

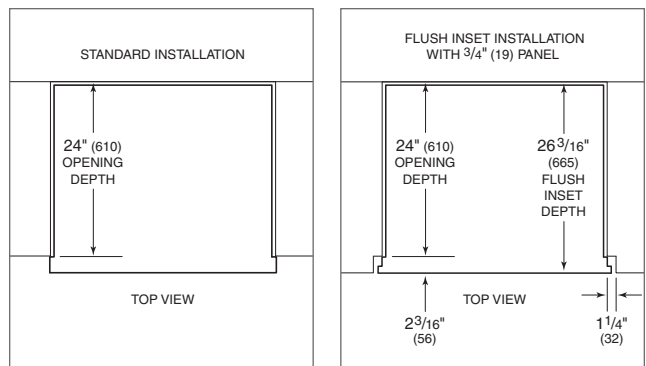
Flush Inset Application

It is necessary to consider the following points when planning for a flush inset application:

- The flush inset depth is $2\frac{3}{16}$ " (56) deeper than the standard opening.
- The flush inset width is $2\frac{1}{2}$ " (64) wider than the standard opening.
- The flush inset height is $\frac{1}{4}$ " (6) higher than the standard opening.
- Panel widths increase to achieve the flush inset look.
- You must allow a $\frac{1}{2}$ " (13) reveal around the perimeter of the unit and grille to allow for proper door swing and airflow.

IMPORTANT NOTE: The flush inset application is not a separate model. This is an overlay unit in a flush installation. The same model is used in an overlay or flush inset application.

Rough opening dimensions for the flush inset application assume the use of a $\frac{3}{4}$ " (19) decorative panel. The illustrations below show the difference between standard and flush inset installations.

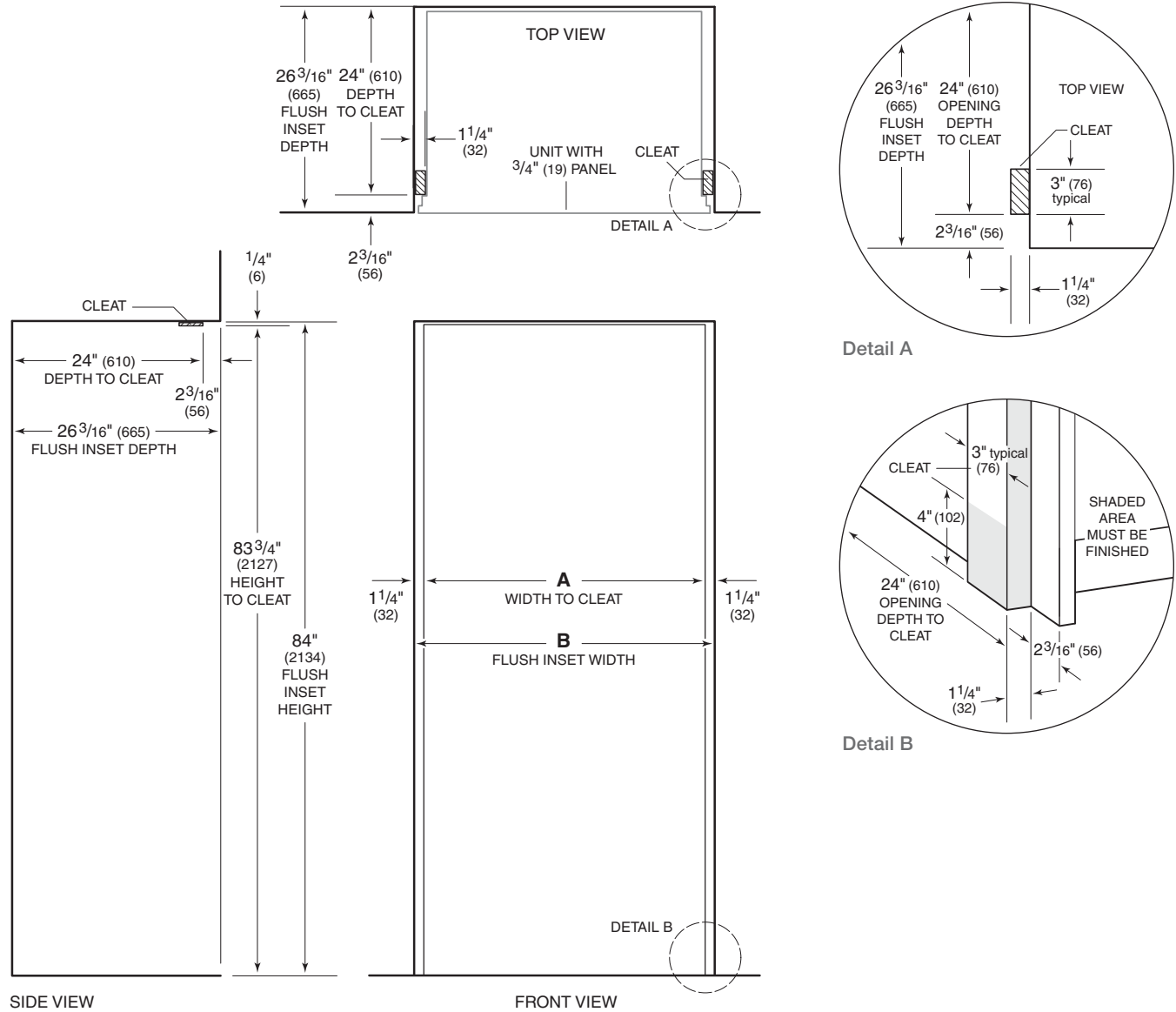


Standard installation.

Flush inset installation.

Built-In Models

FLUSH INSET INSTALLATION



Flush Inset Opening Widths	A	B
BI-36R, BI-36RG and BI-36F	35 1/2" (902)	38" (965)
BI-30U and BI-30UG	29 1/2" (746)	32" (813)
BI-36U and BI-36UG	35 1/2" (902)	38" (965)
BI-36S	35 1/2" (902)	38" (965)
BI-42S and BI-42SD	41 1/2" (1054)	44" (1118)
BI-48S and BI-48SD	47 1/2" (1206)	50" (1270)

IMPORTANT NOTE: Dimensions assume a 3/4" (19) panel thickness.

IMPORTANT NOTE: If two units are installed side by side, refer to pages 32–36 for dual flush inset installations.

Flush Inset Panels

The flush inset application allows decorative panels on the front of the unit to be flush with surrounding cabinetry and is available for all built-in overlay models. For exact panel dimensions, refer to flush inset panel specifications on the following pages.

The flush inset design allows decorative panels to cover the door trim for a seamless appearance that blends with the design of the room. The most common way to achieve this look is to work with three panels—the decorative flush inset panel, which is typically 3/4" (19), a .10" (3) spacer panel and a 1/4" (6) backer panel. Depending on your cabinet manufacturer, this could also be one panel routed for different dimensions.

Regardless of the physical construction of the panels (three-panel assembly or routed panel), you will need to follow the flush inset panel specifications on the following pages for exact sizing and panel placement to ensure a proper fit.

⚠ CAUTION

Do not exceed flush inset panel dimensions, as this could cause damage to panels and the Sub-Zero unit.

Flush Inset Panel Requirements	
MAX WEIGHT PER PANEL	
BI-36R, BI-36RG and BI-36F	75 lbs (34 kg)
All Other Flush Inset Models	50 lbs (23 kg)
Grille Panel	13 lbs (6 kg)
MIN PANEL THICKNESS	
All Flush Inset Panels	5/8" (16)

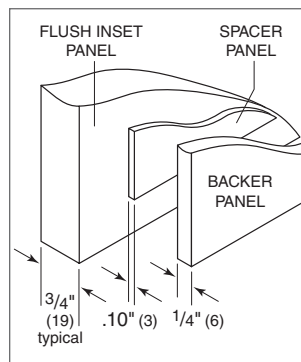
The illustration below provides a rear view of the three-panel assembly with critical dimensions, standard for all built-in models.

IMPORTANT NOTE: The inside edges of the rough opening as well as the sides and a portion of the back side of the decorative panels will need to be finished, as they will be exposed when the doors are open.

IMPORTANT NOTE: On glass door models, the edges of the overlay, spacer and backer panels of the window cut-out will need to be finished, as they will be exposed.

IMPORTANT NOTE: For flush inset panels thicker than 3/4" (19), a 90° door stop may be required to prevent interference with adjacent cabinets. Refer to the full-scale templates at the end of this section.

IMPORTANT NOTE: When installing two units side by side in a flush inset application, refer to pages 32–36 for dual flush inset installations. Be aware that rough opening dimensions, panel sizes and offsets are different for this application.



Three-panel assembly.

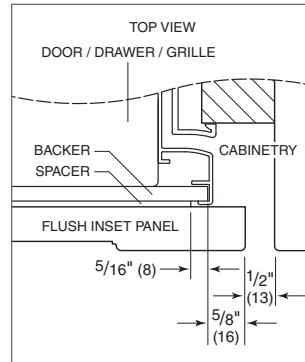
Flush Inset Panels

PANEL OFFSETS

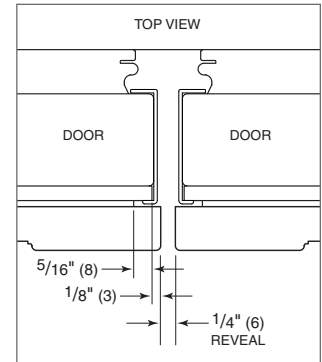
Illustrations A–F provide panel offsets and reveals for all built-in models in a flush inset application. Refer to the chart below for reference to the illustrations relating to your specific model.

For additional information on model-specific panel reveals, visit the specification library section of our website, subzerotrade.com.

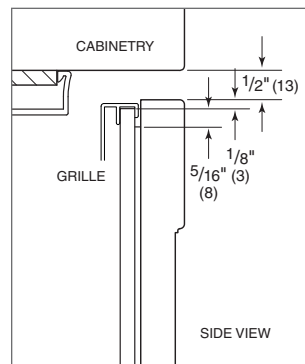
Panel Offsets	Illus.
ALL REFRIGERATOR / ALL FREEZER	
Door / Grille Sides	A
Grille Top	C
Grille Bottom / Door Top	D
Door Bottom	F
OVER-AND-UNDER	
Door / Drawer / Grille Sides	A
Grille Top	C
Grille Bottom / Door Top	D
Door Bottom / Drawer Top	E
Drawer Bottom	F
SIDE-BY-SIDE	
Doors (hinge) / Grille Sides	A
Doors (handle) Sides	B
Grille Top	C
Grille Bottom / Door Top	D
Door Bottom	F



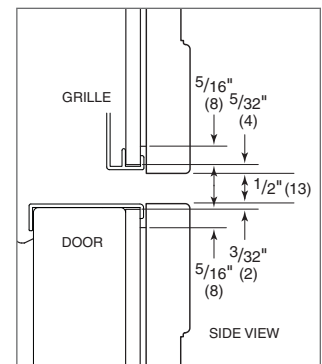
Illus. A



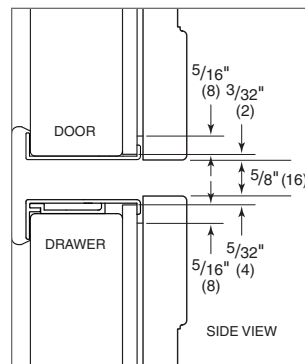
Illus. B



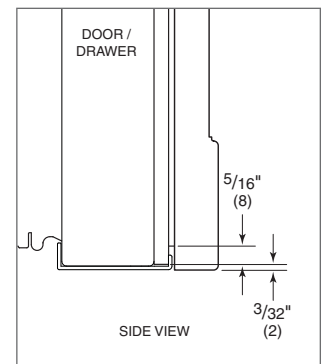
Illus. C



Illus. D

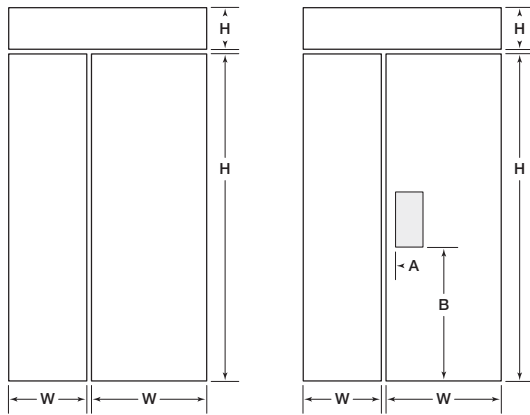


Illus. E



Illus. F

Flush Inset Panels



BI-36S / BI-42S / BI-48S

BI-42SD / BI-48SD

Model BI-36S			
	W	H	
REFRIGERATOR			
Flush Inset Panel	20 ⁹ / ₁₆ " (522)	69 ³ / ₄ " (1772)	
Spacer Panel	19 ³ / ₁₆ " (487)	68 ¹⁵ / ₁₆ " (1751)	
Backer Panel	19 ¹³ / ₁₆ " (503)	69 ⁹ / ₁₆ " (1767)	
FREEZER	W	H	
Flush Inset Panel	16 ³ / ₁₆ " (411)	69 ³ / ₄ " (1772)	
Spacer Panel	14 ¹³ / ₁₆ " (376)	68 ¹⁵ / ₁₆ " (1751)	
Backer Panel	15 ⁷ / ₁₆ " (392)	69 ⁹ / ₁₆ " (1767)	
GRILLE	W	H	
Flush Inset Panel	37" (940)	9 ¹ / ₄ " (235)	
Spacer Panel	35 ¹ / ₈ " (892)	8 ⁵ / ₁₆ " (211)	
Backer Panel	35 ³ / ₄ " (908)	8 ¹⁵ / ₁₆ " (227)	

Models BI-42S and BI-42SD			
	W	H	
REFRIGERATOR			
Flush Inset Panel	25 ⁹ / ₁₆ " (649)	69 ³ / ₄ " (1772)	
Spacer Panel	24 ³ / ₁₆ " (614)	68 ¹⁵ / ₁₆ " (1751)	
Backer Panel	24 ¹³ / ₁₆ " (630)	69 ⁹ / ₁₆ " (1767)	
FREEZER	W	H	
Flush Inset Panel	17 ³ / ₁₆ " (437)	69 ³ / ₄ " (1772)	
Spacer Panel	15 ¹³ / ₁₆ " (402)	68 ¹⁵ / ₁₆ " (1751)	
Backer Panel	16 ⁷ / ₁₆ " (418)	69 ⁹ / ₁₆ " (1767)	
GRILLE	W	H	
Flush Inset Panel	43" (1092)	9 ¹ / ₄ " (235)	
Spacer Panel	41 ¹ / ₈ " (1045)	8 ⁵ / ₁₆ " (211)	
Backer Panel	41 ³ / ₄ " (1060)	8 ¹⁵ / ₁₆ " (227)	
DISPENSER (BI-42SD)	W	H	
Dispenser Cut-Out	5 ⁷ / ₈ " (149)	12 ⁷ / ₁₆ " (316)	
	A	B	
Cut-Out Location	2" (51)	28 ¹³ / ₁₆ " (732)	

Models BI-48S and BI-48SD			
	W	H	
REFRIGERATOR			
Flush Inset Panel	29 ¹ / ₄ " (743)	69 ³ / ₄ " (1772)	
Spacer Panel	27 ⁷ / ₈ " (708)	68 ¹⁵ / ₁₆ " (1751)	
Backer Panel	28 ¹ / ₂ " (724)	69 ⁹ / ₁₆ " (1767)	
FREEZER	W	H	
Flush Inset Panel	19 ¹ / ₂ " (495)	69 ³ / ₄ " (1772)	
Spacer Panel	18 ¹ / ₈ " (460)	68 ¹⁵ / ₁₆ " (1751)	
Backer Panel	18 ³ / ₄ " (476)	69 ⁹ / ₁₆ " (1767)	
GRILLE	W	H	
Flush Inset Panel	49" (1245)	9 ¹ / ₄ " (235)	
Spacer Panel	47 ¹ / ₈ " (1197)	8 ⁵ / ₁₆ " (211)	
Backer Panel	47 ³ / ₄ " (1213)	8 ¹⁵ / ₁₆ " (227)	
DISPENSER (BI-48SD)	W	H	
Cut-Out	5 ⁷ / ₈ " (149)	12 ⁷ / ₁₆ " (316)	
	A	B	
Cut-Out Location	2" (51)	28 ¹³ / ₁₆ " (732)	

Grille panel dimensions listed are for a standard 84" (2134) finished height. For an 83" (2108) finished height, subtract 1" (25) from grille panel height dimensions. For an 88" (2235) finished height, add 4" (102) to height dimensions. An 83" (2108) or 88" (2235) panel grille must be ordered to accept an 83" (2108) or 88" (2235) custom panel. Width dimensions do not vary.

Dispenser

MODELS BI-42SD AND BI-48SD

The refrigerator door panel must include a cut-out to accommodate the dispenser glasswell and bezel. The thickness of the panel in this area can range from $\frac{1}{4}$ " (6) to a maximum of $1\frac{1}{8}$ " (29).

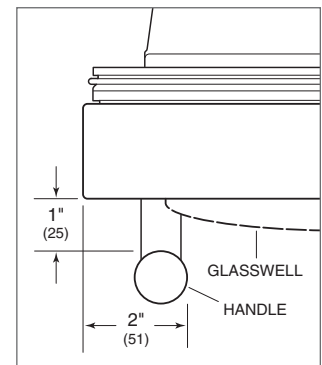
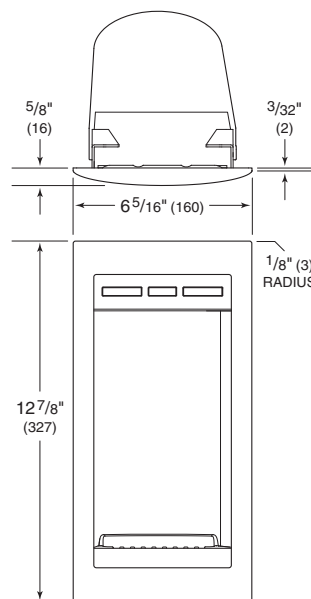
IMPORTANT NOTE: Regardless of the thickness of the panel for model BI-42SD or BI-48SD, you must plan for a flat landing area for the decorative bezel surrounding the glasswell area. The illustration to the right provides exact bezel dimensions. Refer to the appropriate panel specifications page for exact cut-out location. This landing area can be accomplished in a number of different ways. These photos show two options.

One option (flush) is to rout the panel so the bezel will be flush with rails and stiles. You must rout a space to accommodate the height and width of the bezel. The width of the stile immediately to the left of the bezel must be $1\frac{3}{4}$ " (44). Do not cut the entire stile to this dimension.

The other option (proud) shows a boxed out landing area for the bezel using stiles and rails to create this space. In this application, the bezel will sit proud of the stiles and rails. The total thickness of the panels at this level must not exceed $1\frac{1}{8}$ " (29).

For overlay and flush inset models, mounting placement of the refrigerator door handle must assure proper access to the glasswell and adequate clearance under the handle.

The handle placement illustration shows the relation of the refrigerator door handle to the glasswell bezel on stainless steel models.



Handle placement.

Dispenser dimensions.



Flush option.



Proud option.

Side Panels

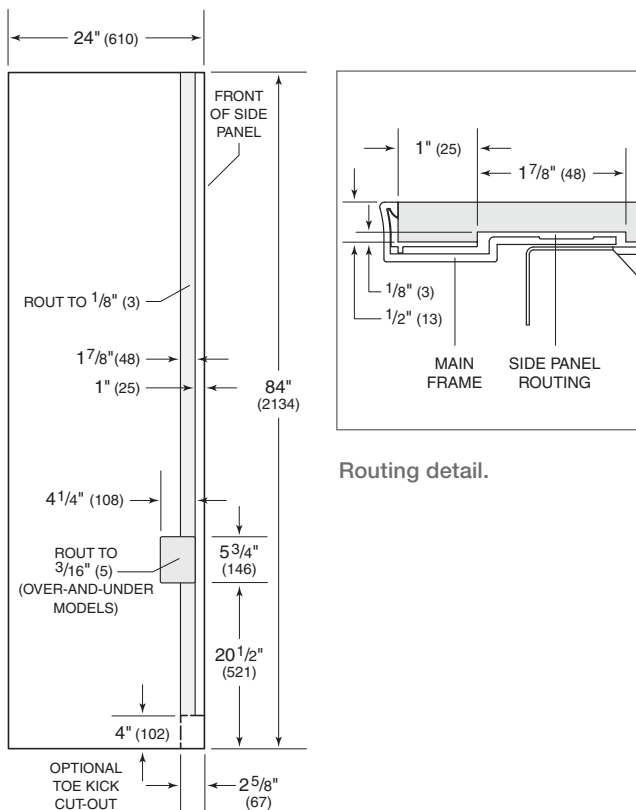
Side panels can be used with every design application. When planning for side panels with the installation of a built-in model, you need to be aware of the space configuration to achieve a pleasing fit. Depending on the exact panel you are using with your unit, the height of the panel may vary.

IMPORTANT NOTE: The use of side panels may change the width of your rough opening.

The side panel will need to be a minimum of 24" (610) deep and 1/2" (13) thick. Refer to the illustrations below for side panel dimensions. Routing will be necessary so that the side panel fits flush against the side of the unit.

IMPORTANT NOTE: If you have a model BI-30U, BI-30UG, BI-36U or BI-36UG, extra routing will be necessary to prevent the panel from hitting the refrigerator lower hinge plate.

When installing a built-in unit with a custom side panel, an accessory kit (7003407) is required. Stainless steel and white enamel side panels are also available through your authorized Sub-Zero dealer.



Side panel dimensions.

Accessories

These optional accessories are available through your authorized Sub-Zero dealer. For local dealer information, visit the showroom locator section of our website, subzero.com.

- Flush inset front panels in stainless steel with handle options.
- Framed front panels in stainless steel and white enamel.
- Side panels in stainless steel and white enamel.
- Grilles for an 83" (2108) or 88" (2235) finished height.
- Extended framed handles.
- Tubular and pro handles to match the style of Wolf ovens and ranges.
- Dual installation kits with and without dual wide grille.
- Retrofit kits for use with 600 series panels.
- Partial framed kit for dispenser models.

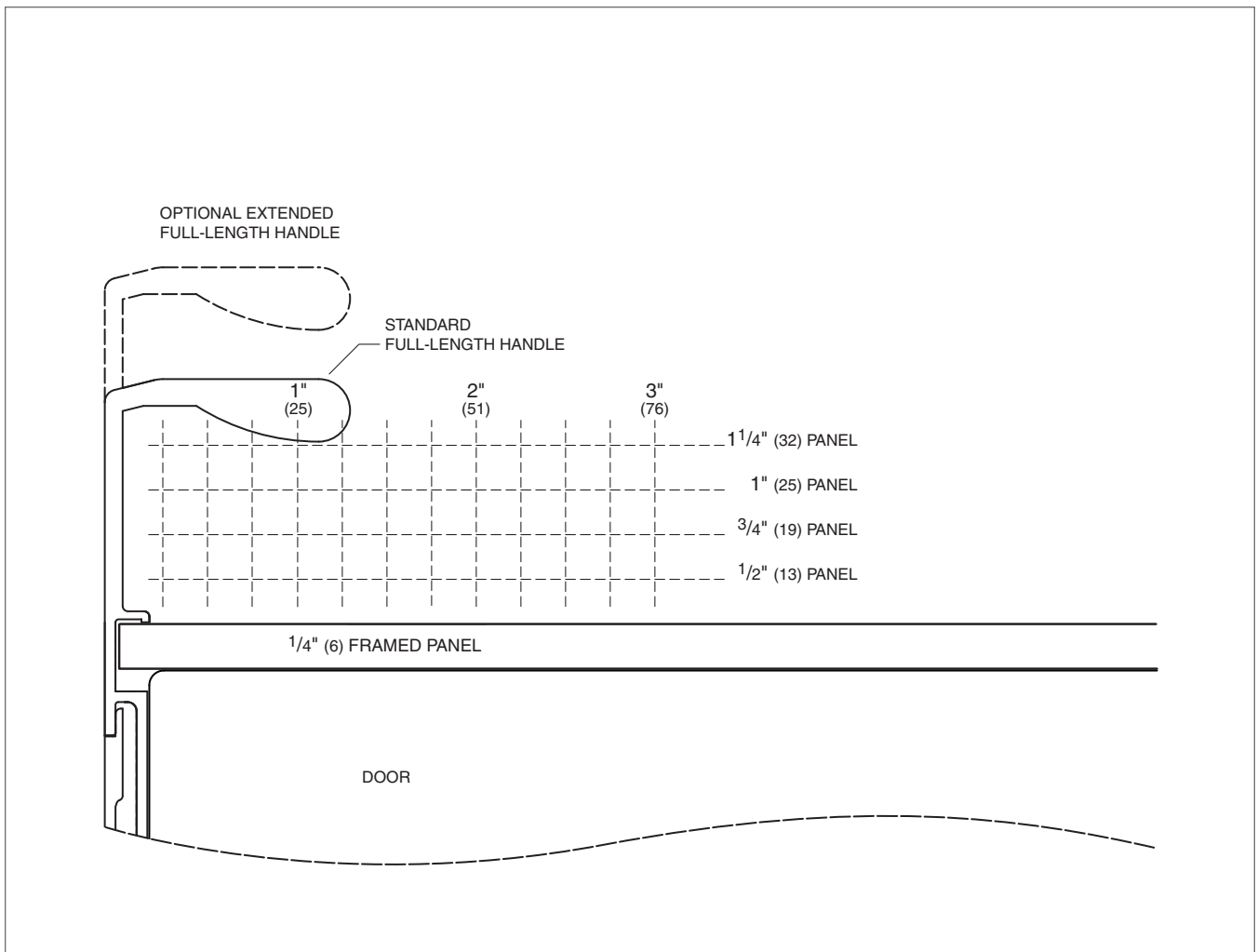
STANDARD HANDLE LENGTHS

Refer to the chart below for standard lengths of tubular, and pro handles used on built-in models.

Standard Handle Lengths		
ALL REFRIGERATOR / ALL FREEZER AND SIDE-BY-SIDE	DOOR	
Tubular Handle	63 ⁷ / ₈ " (1622)	
Pro Handle	45 ¹ / ₈ " (1146)	
Stud Spacing	43 ⁷ / ₈ " (1114)	
BI-30U AND BI-30UG	DOOR	DRAWER
Tubular Handle	44 ¹ / ₄ " (1124)	24 ⁵ / ₁₆ " (633)
Pro Handle	37 ¹ / ₂ " (952)	21" (533)
Stud Spacing	36 ¹ / ₄ " (921)	16 ⁵ / ₁₆ " (414)
BI-36U AND BI-36UG	DOOR	DRAWER
Tubular Handle	44 ¹ / ₄ " (1124)	30 ⁵ / ₁₆ " (770)
Pro Handle	37 ¹ / ₂ " (952)	23 ¹ / ₂ " (597)
Stud Spacing	36 ¹ / ₄ " (921)	22 ⁵ / ₁₆ " (567)

Framed Panel Thickness

FULL-SCALE TEMPLATE

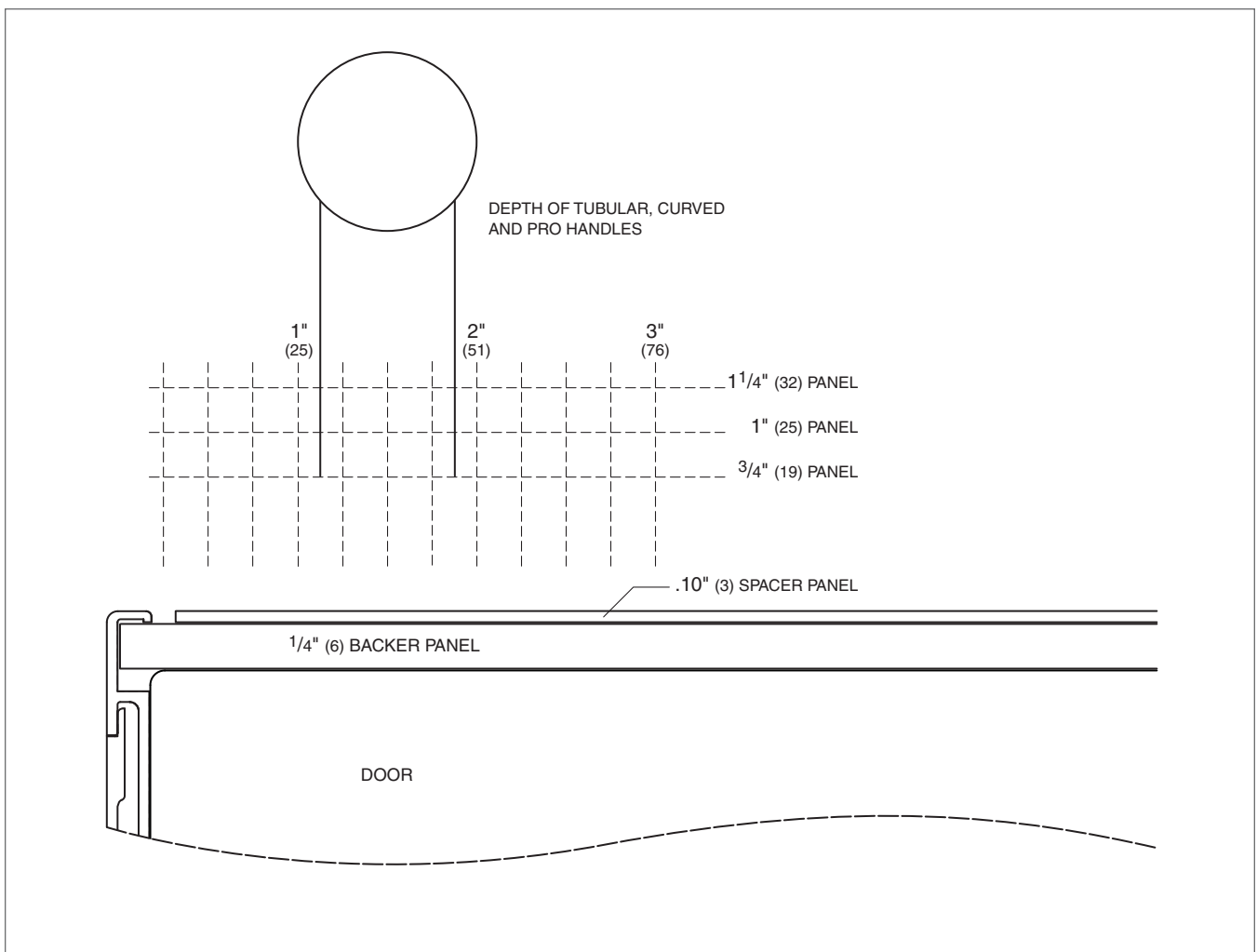


PANEL THICKNESS
FRAMED APPLICATION

Overlay Panel Thickness

FULL-SCALE TEMPLATE

Overlay and flush inset panels must be a minimum of $\frac{5}{8}$ " (16) thick to support mounting the handle. Panel thickness does not include backer and spacer panel. Mount handle close to the opening edge of the door.

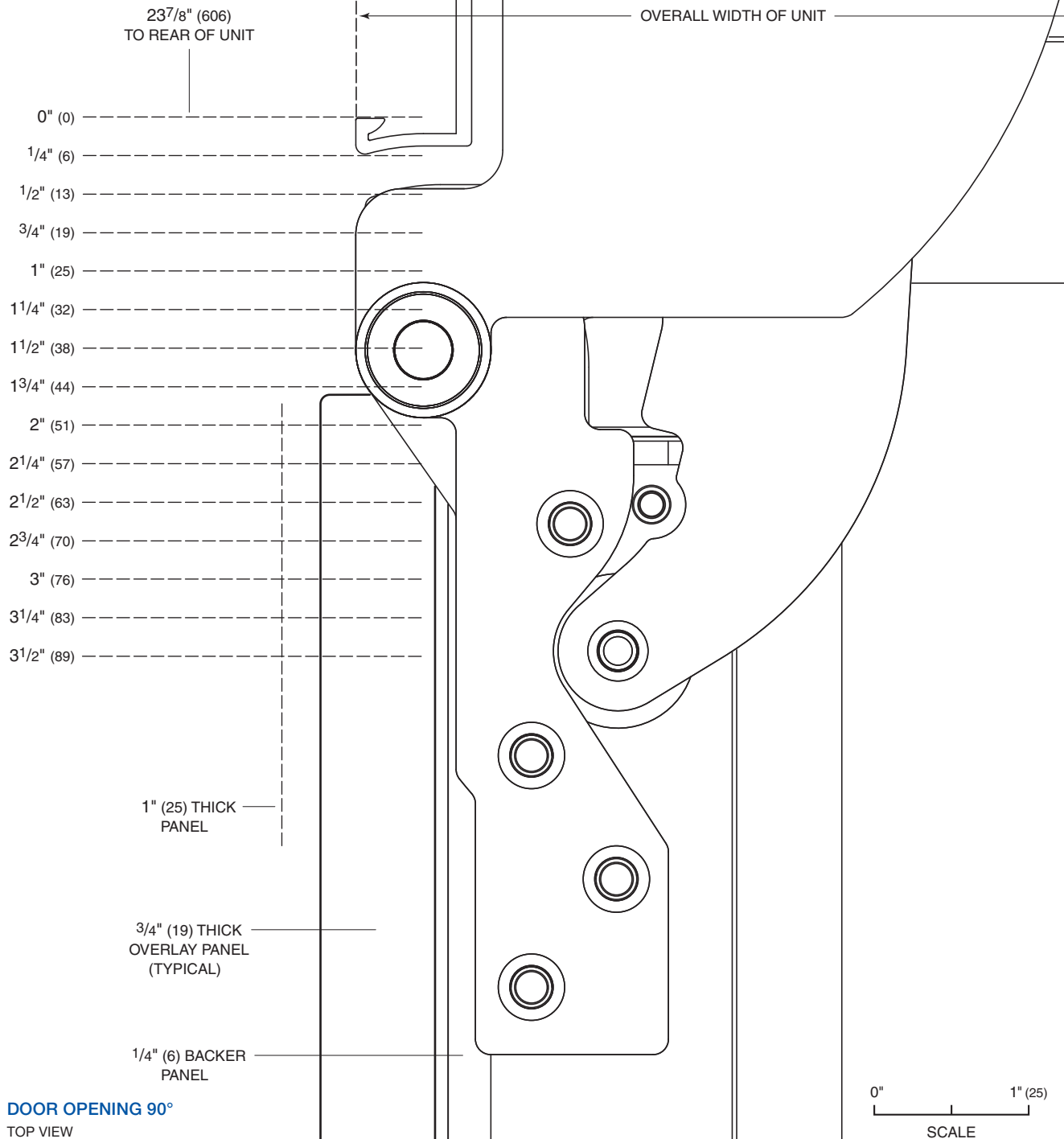


PANEL THICKNESS

OVERLAY AND FLUSH INSET APPLICATIONS

Overlay Application

FULL-SCALE TEMPLATE



Flush Inset Application

FULL-SCALE TEMPLATE

For panels thicker than 3/4" (19), a 90° door stop may be required to prevent interference with adjacent cabinets.

24" (610)
TO BACK WALL

1 1/4" (32)

2 3/16" (56)
ASSUMES
3/4" (19)
FLUSH INSET
PANEL
THICKNESS

1" (25) THICK
PANEL

3/4" (19) THICK
FLUSH INSET PANEL
(TYPICAL)

1/4" (6) BACKER
PANEL

DOOR OPENING 110°
TOP VIEW

