



## 36" Built-In All Refrigerator with Glass Door

In a dual installation with all freezer model BI-36F, the all refrigerator model BI-36RG with glass door offers maximum refrigeration capacity with a contemporary look. The new air purification system continuously scrubs odors, bacteria, ethylene gas and contaminants to keep food fresh. Framed, overlay, flush inset and stainless steel design options are available. The flush inset installation option allows the unit to sit flush with surrounding cabinetry.



Model BI-36RG shown in a flush inset installation with model BI-36F.

### FEATURES

- Electronic microprocessor constantly monitors entire unit to ensure proper food storage environment.
- Air purification system reduces odors, bacteria, viruses and ethylene gas.
- Triple-pane, UV-resistant glass door—high altitude glass available.
- Illuminated touch control panel.
- Bright interior lighting throughout, including storage drawer area.
- Adjustable spill-proof glass shelves, door shelves and dairy compartment.
- Soft-close crisper and deli drawers form a lower temperature zone ideal for produce and meats.
- Easy-access flip-up grille.
- Informational freshness cards.



Flip-up grille.



Air purification system.

### MODEL OPTIONS

MODEL OPTIONS	BI-36RG/O	BI-36RG/S/TH	BI-36RG/S/PH
Design	Overlay/Flush Inset	Stainless	Stainless
Grille	Panel	Stainless	Stainless
Handle	*	Tubular	Pro

\*Handle not included to allow for design flexibility.

### INTERIOR FEATURES

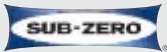
- **Refrigerator**  
23.5 cu ft Capacity  
Air Purification System  
4 Adjustable Glass Shelves  
1 Stationary Glass Shelf  
1 High-Humidity Drawer with Dividers  
2 Storage Drawers with Dividers  
Triple-Pane UV-Resistant Glass Door

### ACCESSORIES

- Grilles for 83" or 88" finished height (84" is standard).
- Framed front panel in white and stainless steel.
- Flush inset and dual flush inset panels in stainless steel with tubular or pro handles.
- Dual installation kits with and without dual wide grille, 84" finished height.
- Side panel in white and stainless steel.
- Stainless steel kickplate.
- Framed grille insert and full-length handle.
- Stainless steel tubular and pro handles.
- Dozen egg container.
- Replacement air purification cartridge.
- Retrofit kit for 600 series panels.
- 90° door stop.

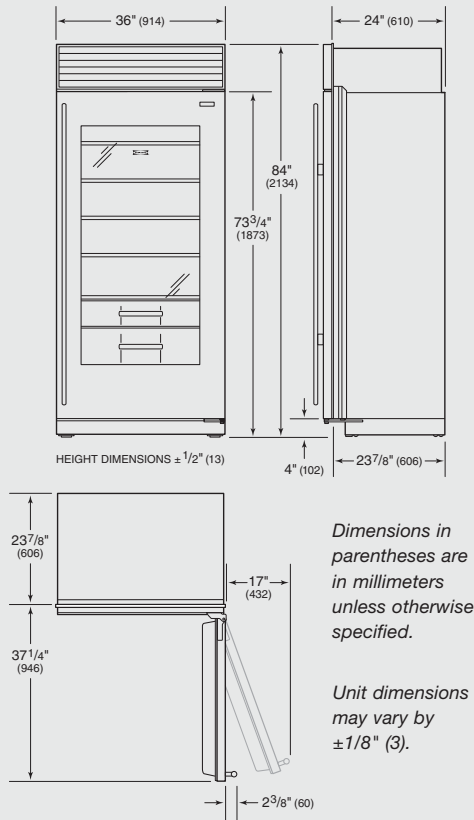
Accessories are available through your Sub-Zero dealer. For local dealer information, visit the find a showroom section of our website, [subzero.com](http://subzero.com).





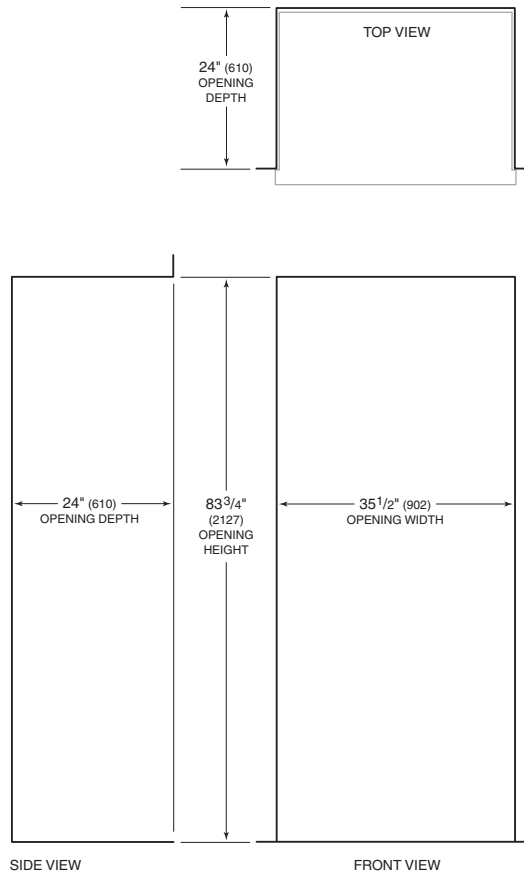
## 36" Built-In All Refrigerator with Glass Door

### OVERALL DIMENSIONS

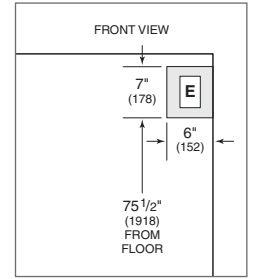


### INSTALLATION SPECIFICATIONS

#### Standard Installation



#### Location of Electrical Supply



### SPECIFICATIONS

Overall Dimensions	36" W x 84" H x 24" D
Door Clearance	Standard 37 1/4" Flush Inset 37 3/4"
Opening Width	35 1/2"
Flush Inset Width	38"
Opening Height	83 3/4"
Flush Inset Height	84"
Opening Depth	24"
Flush Inset Depth	26 3/16"
Electrical Requirements	115 V AC, 60 Hz 15 amp circuit
Shipping Weight	430 lbs

### INSTALLATION NOTES

Built-In models may be used in a standard installation or in a flush inset installation which allows the unit to be flush with surrounding cabinetry.

Complete installation specifications, including panel sizes, can be found on our website, [subzero.com/specs](http://subzero.com/specs).

#### Flush Inset Installation

**IMPORTANT NOTE:**  
Dimensions assume a 3/4" (19) panel thickness.

