



## 36" Built-In All Freezer

In a dual installation with all refrigerator model BI-36R, the all freezer model BI-36F offers maximum refrigeration capacity. The new water filtration system removes suspended particles, chemical pollutants, viruses and bacteria from the ice. Framed, overlay, flush inset and stainless steel design options are available. The flush inset installation option allows the unit to sit flush with surrounding cabinetry. Model BI-36F is ENERGY STAR® qualified.



Stainless steel models BI-36F and BI-36R shown with tubular handles.

### FEATURES

- Electronic microprocessor constantly monitors entire unit to ensure proper food storage environment.
- Microbiological water filtration system filters bacteria, viruses and sediment, but not fluoride.
- Illuminated touch control panel.
- Bright interior lighting throughout, including storage drawer area.
- Adjustable wire shelves and door shelves.
- Soft-close glide system on storage drawers.
- Easy-access flip-up grille.
- Max ice feature increases production for a 24-hour period.

### MODEL OPTIONS

MODEL OPTIONS	BI-36F/O	BI-36F/S/TH	BI-36F/S/PH
Design	Overlay/Framed/Flush Inset	Stainless	Stainless
Grille	Panel	Stainless	Stainless
Handle	*	Tubular	Pro

\*Handle not included to allow for design flexibility.

### INTERIOR FEATURES

- **Freezer**  
22.8 cu ft Capacity  
Water Filtration System  
Automatic Ice Maker  
3 Adjustable Wire Shelves  
1 Stationary Glass Shelf  
3 Storage Drawers with Dividers  
3 Adjustable Door Shelves  
2 Stationary Door Shelves

### ACCESSORIES

- Grilles for 83" or 88" finished height (84" is standard).
- Framed front panel in white and stainless steel.
- Flush inset and dual flush inset panels in stainless steel with tubular or pro handles.
- Dual installation kits with and without dual wide grille, 84" finished height.
- Side panel in white and stainless steel.
- Stainless steel kickplate.
- Framed grille insert and full-length handle.
- Stainless steel tubular and pro handles.
- Replacement water filter.
- Retrofit kit for 600 series panels.
- 90° door stop.

Accessories are available through your Sub-Zero dealer. For local dealer information, visit the find a showroom section of our website, [subzero.com](http://subzero.com).



Flip-up grille.



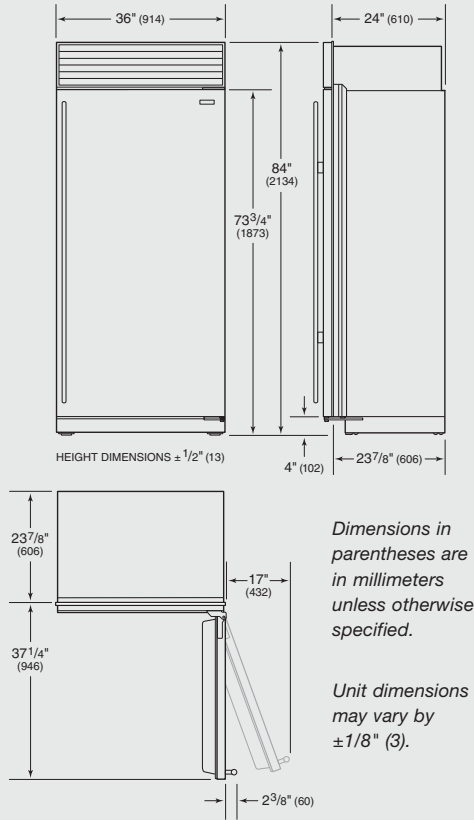
Low profile hinges.





# 36" Built-In All Freezer

## OVERALL DIMENSIONS



## SPECIFICATIONS

Overall Dimensions	36" W x 84" H x 24" D
Door Clearance	Standard 37 1/4" Flush Inset 37 3/4"
Opening Width	35 1/2"
Flush Inset Width	38"
Opening Height	83 3/4"
Flush Inset Height	84"
Opening Depth	24"
Flush Inset Depth	26 3/16"
Electrical Requirements	115 V AC, 60 Hz 15 amp circuit
Plumbing Requirements	1/4" OD copper line 30–100 psi
Shipping Weight	406 lbs

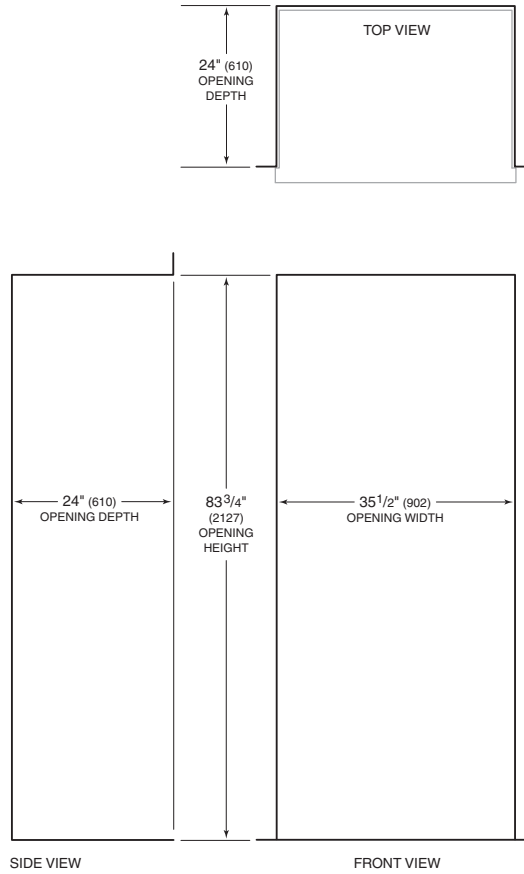
## INSTALLATION NOTES

Built-In models may be used in a standard installation or in a flush inset installation which allows the unit to be flush with surrounding cabinetry.

Complete installation specifications, including panel sizes, can be found on our website, [subzero.com/specs](http://subzero.com/specs).

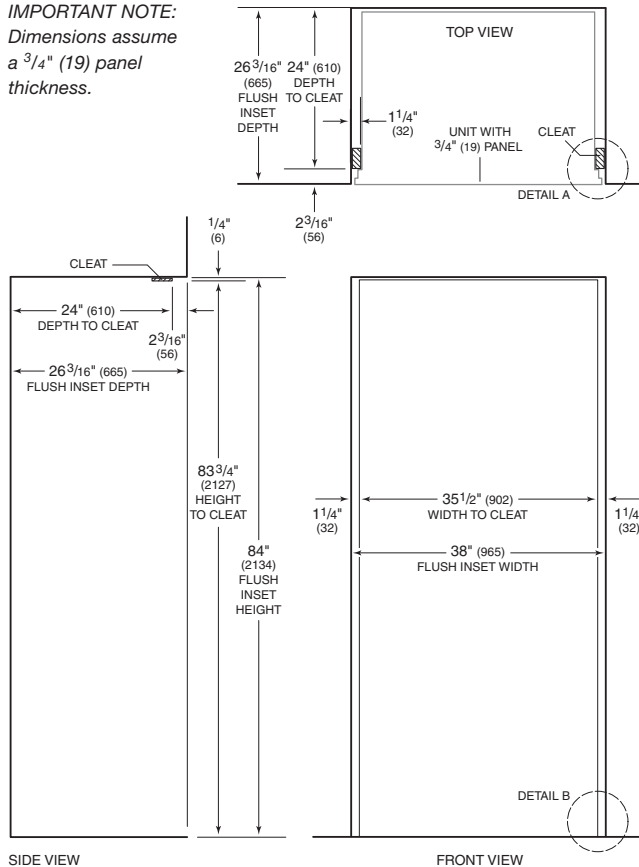
## INSTALLATION SPECIFICATIONS

### Standard Installation

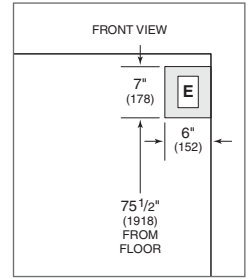


### Flush Inset Installation

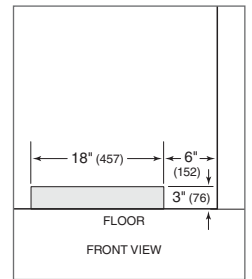
**IMPORTANT NOTE:**  
Dimensions assume a 3/4" (19) panel thickness.



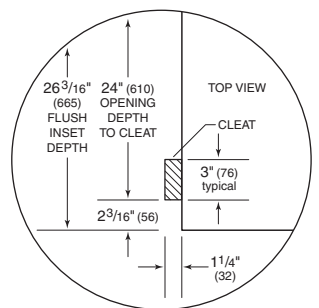
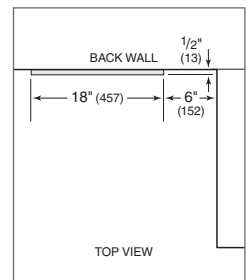
### Location of Electrical Supply



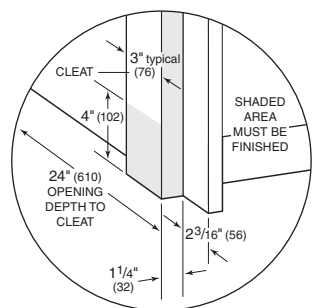
### Location of Water Supply—Rear



### Location of Water Supply—Bottom



Detail A



Detail B