



### 30" Built-In Over-and-Under with Glass Door

Over-and-under model BI-30UG offers easy-access refrigerated storage with a glass door, plus a convenient roll-out freezer drawer. Sub-Zero dual refrigeration along with new air purification and water filtration systems guard the freshness of your food and water like nothing before. Framed, overlay, flush inset and stainless steel design options are available. The flush inset installation option allows the unit to sit flush with surrounding cabinetry.



*Stainless steel model BI-30UG shown with tubular handles.*

#### FEATURES

- Dual refrigeration system ensures the freshest food and energy efficiency.
- Electronic microprocessor constantly monitors entire unit to ensure proper food storage environment.
- Air purification system reduces odors, bacteria, viruses and ethylene gas.
- Microbiological water filtration system filters bacteria, viruses and sediment, but not fluoride.
- Triple-pane, UV-resistant glass door—high altitude glass available.
- Illuminated touch control panel.
- Bright interior lighting throughout, including storage drawer area.
- Adjustable spill-proof glass shelves, door shelves and dairy compartment.
- Soft-close crisper and deli drawers form a lower temperature zone.
- Easy-access flip-up grille.
- Informational freshness cards.
- Full-extension, roll-out freezer drawer.
- Max ice feature increases production for a 24-hour period.



Flip-up grille.



Air purification system.

MODEL OPTIONS	BI-30UG/O	BI-30UG/S/TH	BI-30UG/S/PH
Design	Overlay/Framed/Flush Inset	Stainless	Stainless
Grille	Panel	Stainless	Stainless
Handle	*	Tubular	Pro

*\*Handle not included to allow for design flexibility.*

#### INTERIOR FEATURES

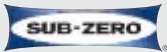
- **Refrigerator**  
12.9 cu ft Capacity  
Air Purification System  
3 Adjustable Glass Shelves  
1 Stationary Glass Shelf  
1 High-Humidity Drawer with Divider  
1 Storage Drawer with Divider  
Triple-Pane UV-Resistant Glass Door
- **Freezer**  
4.1 cu ft Capacity  
Water Filtration System  
Full-Extension Roll-Out Freezer Drawer  
Two-Tier Wire Storage Baskets  
Automatic Ice Maker

#### ACCESSORIES

- Grilles for 83" or 88" finished height (84" is standard).
- Framed front panels in white and stainless steel.
- Flush inset and dual flush inset panels in stainless steel with tubular or pro handles.
- Dual installation kits with and without dual wide grille, 84" finished height.
- Side panel in white and stainless steel.
- Stainless steel kickplate.
- Framed grille insert and full-length handles.
- Stainless steel tubular and pro handles.
- Dozen egg container.
- Replacement air purification cartridge and water filter.
- 90° door stop.

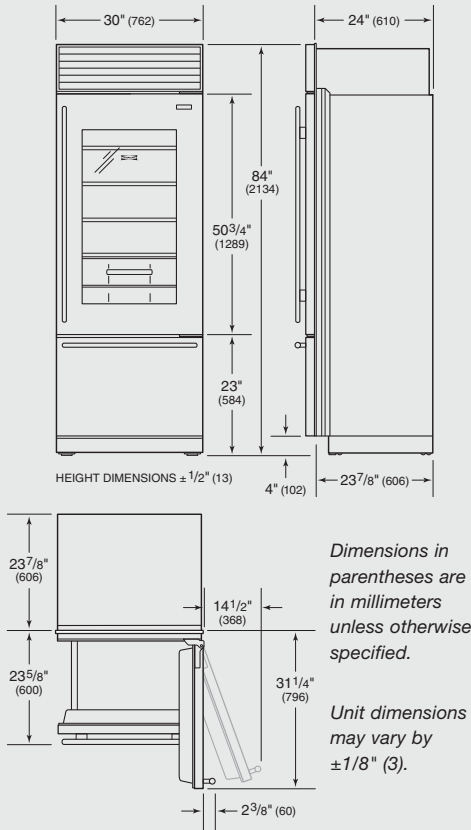
*Accessories are available through your Sub-Zero dealer. For local dealer information, visit the find a showroom section of our website, [subzero.com](http://subzero.com).*





# 30" Built-In Over-and-Under with Glass Door

## OVERALL DIMENSIONS



## SPECIFICATIONS

Overall Dimensions	30" W x 84" H x 24" D
Door Clearance	Standard 31 1/4" Flush Inset 31 3/4"
Opening Width	29 1/2"
Flush Inset Width	32"
Opening Height	83 3/4"
Flush Inset Height	84"
Opening Depth	24"
Flush Inset Depth	26 3/16"
Electrical Requirements	115 V AC, 60 Hz 15 amp circuit
Plumbing Requirements	1/4" OD copper line 30–100 psi
Shipping Weight	476 lbs

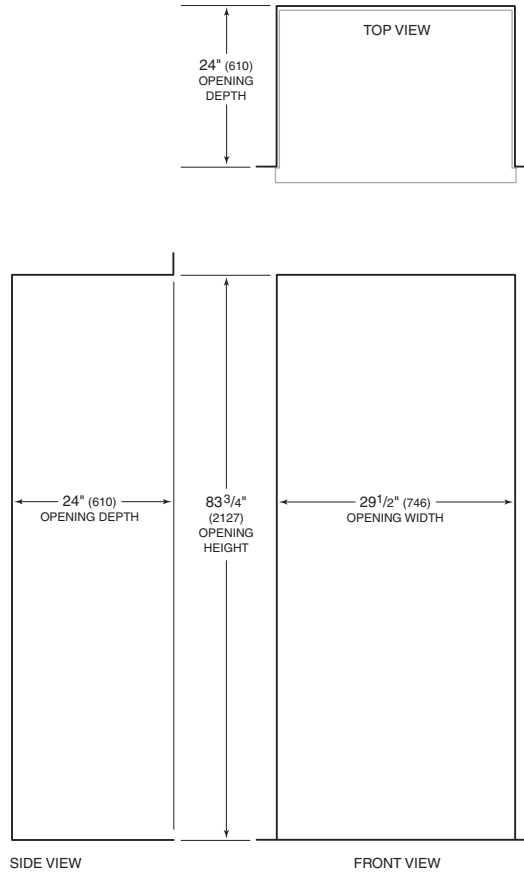
## INSTALLATION NOTES

Built-In models may be used in a standard installation or in a flush inset installation which allows the unit to be flush with surrounding cabinetry.

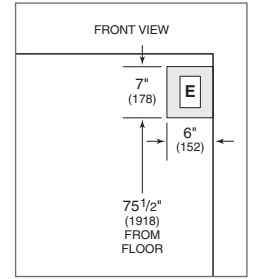
Complete installation specifications, including panel sizes, can be found on our website, [subzero.com/specs](http://subzero.com/specs).

## INSTALLATION SPECIFICATIONS

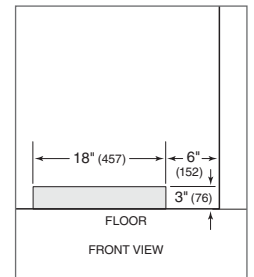
### Standard Installation



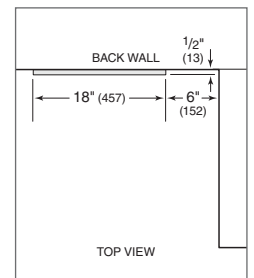
### Location of Electrical Supply



### Location of Water Supply—Rear

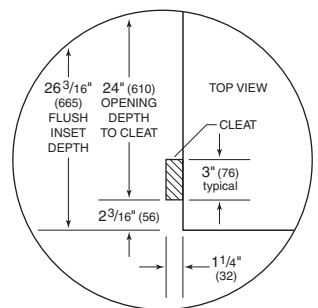
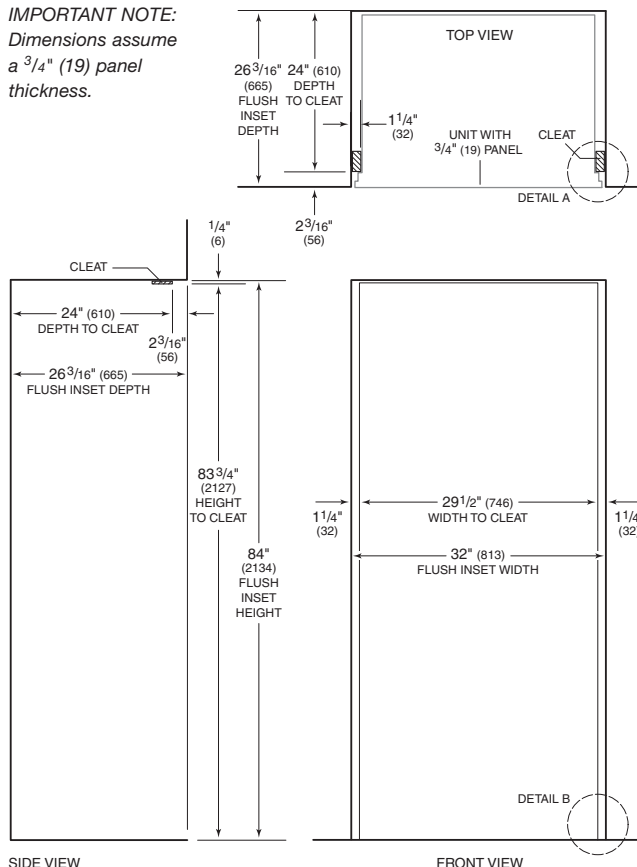


### Location of Water Supply—Bottom

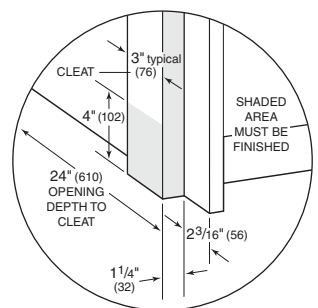


### Flush Inset Installation

**IMPORTANT NOTE:** Dimensions assume a 3/4" (19) panel thickness.



Detail A



Detail B